

1. Product Outlook

DB-9 port



Top View



Side View

9-pin port



Top View



Side View

2. Product Introduction

The AS400 communication card provides contact closures for remote monitoring your UPS. To meet different application requirement, the AS400 card is capable of selection the status of the dry-contact signal (active close or active open) by setting jumper. The suitable applications are listed below:

- IBM Server, Personal PC & Workstations equipments
- Auto-controlled industrial equipment & communication applications

3. Installation

Step 1: Remove cover of Intelligent Slot on the rear panel of the UPS.



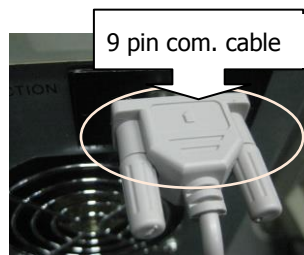
Step 3: The cover of AS400 should attach close to the rear panel. Using screwdriver, secure the AS400 to the UPS chassis with 2 screws.



Step 2: Insert AS400 card into Intelligent Slot.

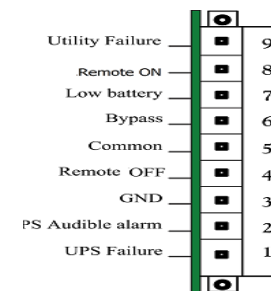
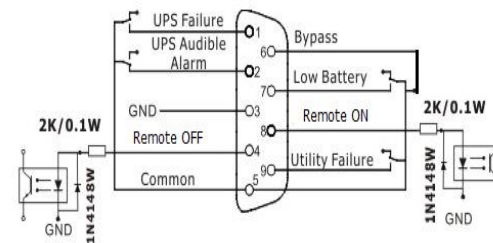


Step 4: Use the 9-pin communication cable to connect UPS and equipment to implement the remote monitoring and control.



4. Specifications

Internal circuit of DB-9 port



RS-232 port

9-pin port

Electric Parameter of DB-9 port

	Parameter	Symbol	Max.	Min.	Unit
Resistor*	DC Current	I_R	6	1	mA
	Reverse Voltage	V_R	6	-	V
	Forward Current	I_F	50	-	mA
Relay	Peak Forward Current	I_F (Peak)	1	-	A
	DC Voltage	V_{DC}	24	-	V
	DC Current	I_{DC}	1.0	-	A

Note: It's required to retain the DC current lower than 6mA. Otherwise, it's necessary to add one resistor within DC current limitation in the serial loop of Remote Shutdown. (e.g. 2K resistor with at least 0.1W rating power). Refer to diagrams in **Application**.

Pin Assignment

Pin Assignment	Function	I/O
Pin 1	UPS Failure	O/P
Pin 2	UPS Audible Alarm	O/P
Pin 3	GND (Common for Pin 4)	Power Ground
Pin 4	Remote OFF	I/P
Pin 5	Common for Relays	Power Supply
Pin 6	Bypass Active	O/P
Pin 7	Low Battery	O/P
Pin 8	Remote ON	I/P
Pin 9	Utility Failure	O/P

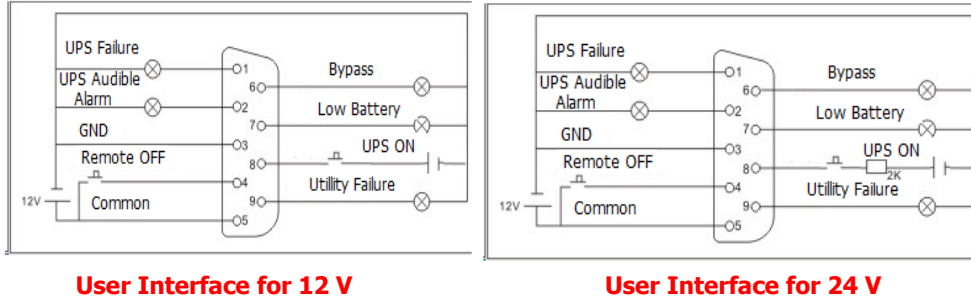
P.S. The OFF pin (pin4 & pin3) only accepts 3-10s high level signal to perform the UPS shutdown.

Function Description

AC Status	AO Status	Reason
Pin 1 & Pin 5 connected	Pin 1 & Pin 5 disconnected	UPS failure
Pin 6 & Pin 5 connected	Pin 6 & Pin 5 disconnected	Bypass active
Pin 7 & Pin 5 connected	Pin 7 & Pin 5 disconnected	Battery voltage is low
Pin 9 & Pin 5 connected	Pin 9 & Pin 5 disconnected	Utility failure

Application:

Below shows the circuit of basic application to implement monitoring and control.



User Interface for 12 V

User Interface for 24 V

5. Internal Logical Connection

IC controller of the card controls actions of 5 relays depending on the UPS status. Active-Close(A.C) terminal and Active-Open(A.O) terminal of each relay connect to pin 3 and pin 1 of a 3-pin connector respectively. The pin 2 of the 3-pin connector connects to the signal pin of the DB9 interface connector. The 2-pin jumper can be plugged to the 3-pin connector to either short-circuit Pin1 & Pin2(A.C) or short-circuit Pin3 & Pin2(A.O).

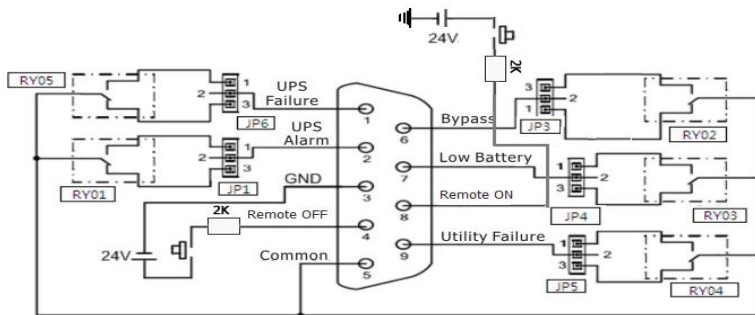


Fig 1 Pin definition and internal logical connection

Accordingly, if pin1 short-circuits with pin2 via the jumper, the status of dry contact signal will be ACTIVE CLOSE, refer to Fig 2. When the signal is active, the signal pin on the DB9 connector will connect with the common pin (pin5) via the relay.

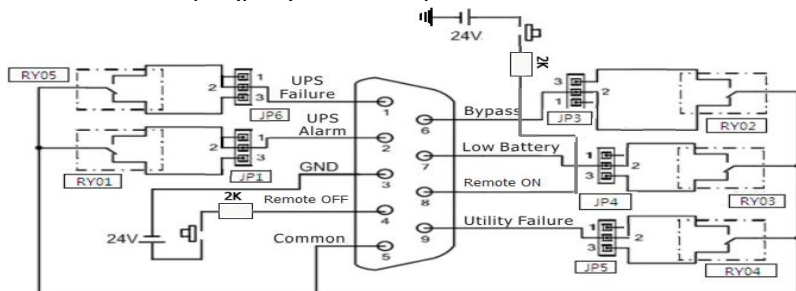


Fig 2 Connection for ACTIVE CLOSE

If Pin3 short-circuit with Pin2(A.O) via the jumper, the status of dry contact signal will be ACTIVE OPEN, refer to Fig 3. When the signal is active, the signal pin on the DB9 connector will disconnect with the common pin (pin5) via the relay.

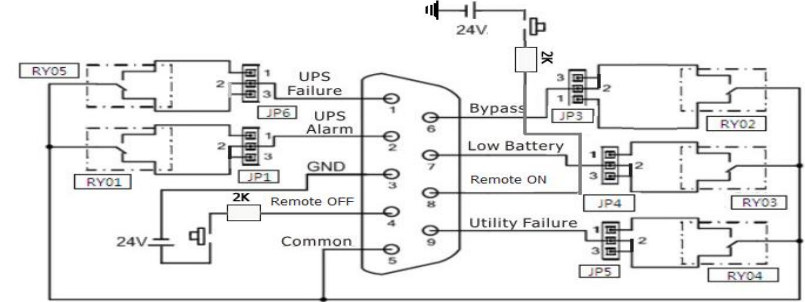


Fig. 3 Connection for ACTIVE OPEN

6 Jumper Set-up

The 3-pin connectors can be easily found just near to the relay. Refer to Fig. 4.

There are AC and AO white silk printings of the connector as shown in Fig. 5 to indicate pin1&2 in A.C and pin2&3 in A.O.



Fig.4 AS400 card



To achieve ACTIVE CLOSE dry-contact signal, the jumper should connect the 2 pins(Pin1&2) as shown in Fig. 6.



Fig. 6 Jumper setting for ACTIVE CLOSE



Fig. 7 Jumper setting for ACTIVE OPEN

Jumper function description

JP	Description	JP	Description
1	UPS alarm (DB9.P2)	4	Low battery(DB9.P7)
		5	Utility failure(DB9.P9)
3	Bypass(DB9.P6)	6	UPS failure(DB9.P1)