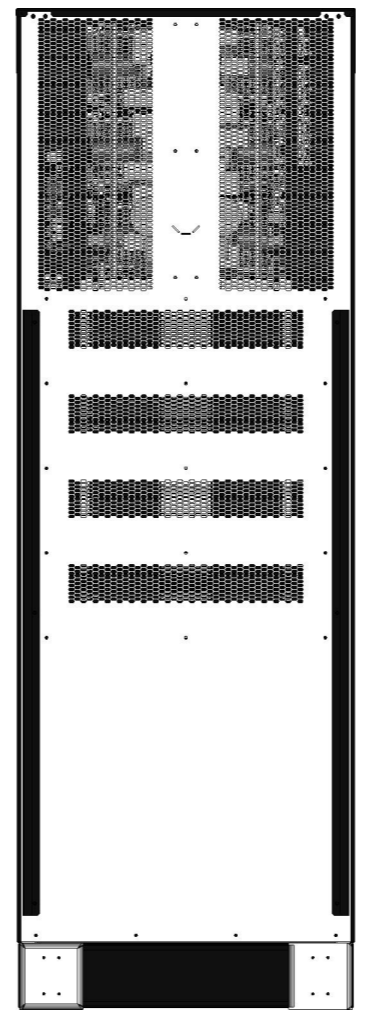
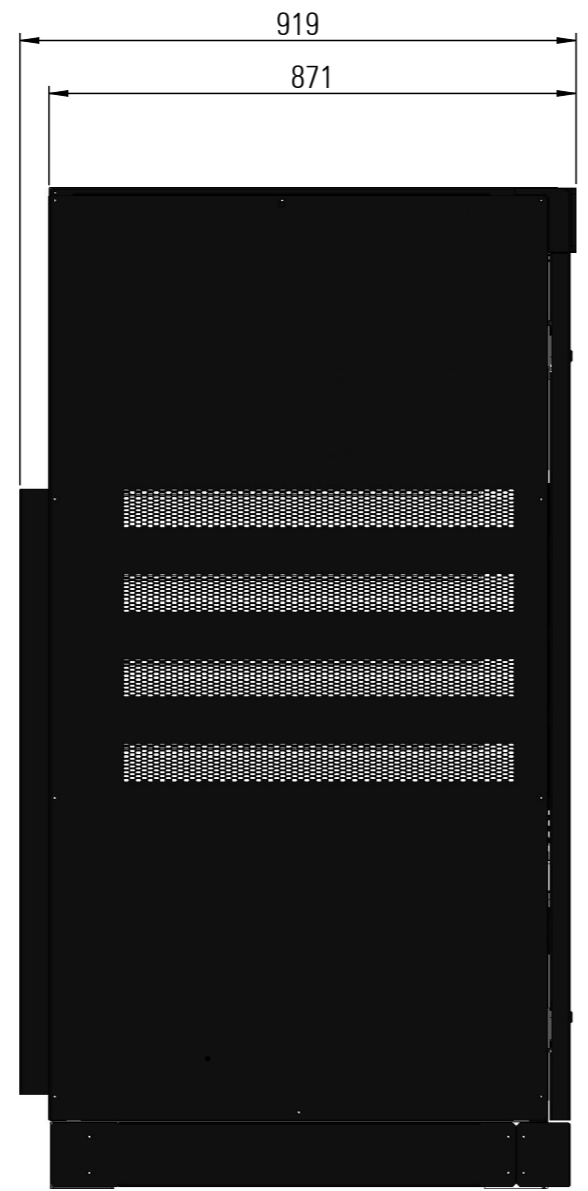
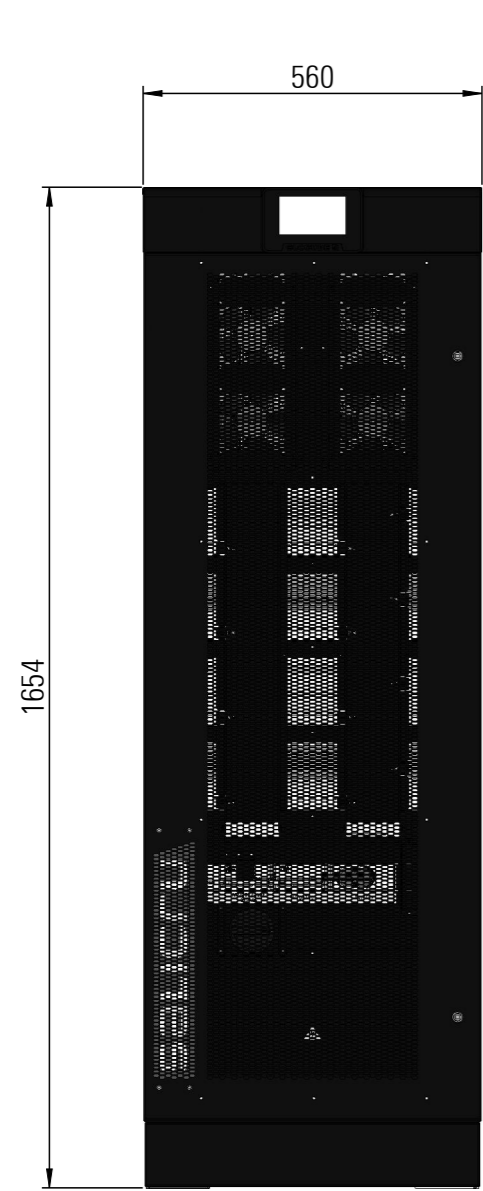
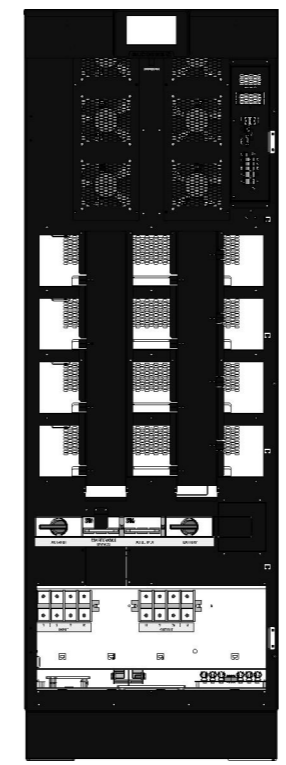
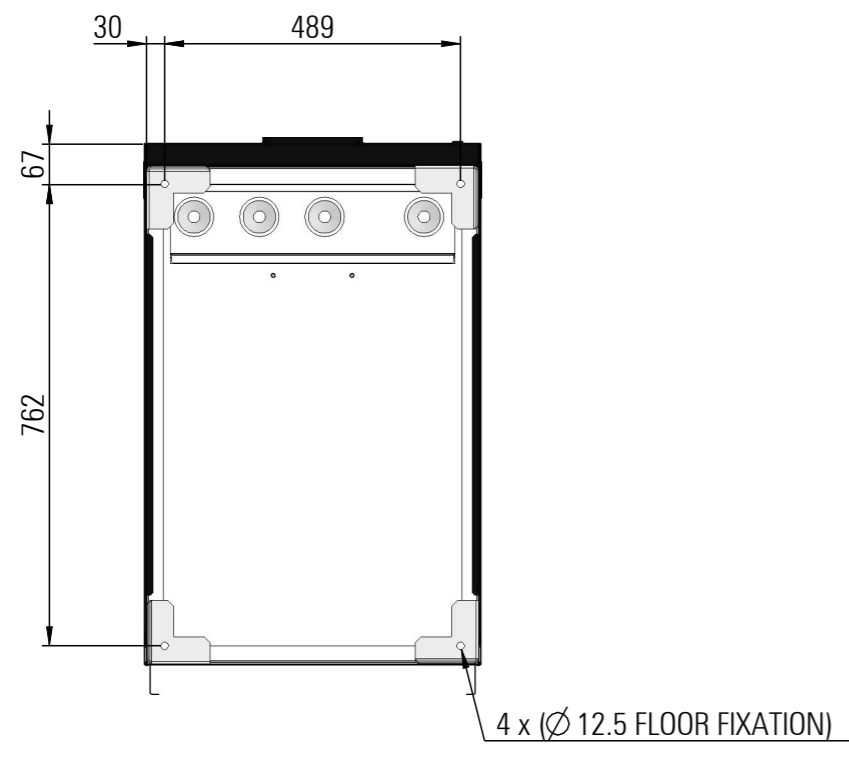


A
B
C
D
E
F
G
H
I
J



MATERIAL				CUT TOLERANCES		FOLD TOLERANCES					
COATING				<100mm: ±0.1mm		<500mm: ±0.5mm					
MATERIAL	THICKNESS	COLOUR	FINISHING	100 TO <500mm: ±0.2mm	500 TO <1000mm: ±1mm						
				500 TO <1000mm: ±0.3mm	>=1000mm: ±2mm						
				>=1000mm: ±0.5mm	DRILL TOLERANCES						
				ANGULAR TOLERANCES		<Ø 6mm: ±0.1mm					
				±0.5°		>=Ø 6mm: ±0.2mm					
		N° DIAGRAM FB125A01 PAGE / PAGES 1 / 1									
DRAWN BY MARC TRAFACH		DATE 04/02/2020						CUBE4 60-80kVA COMMERCIAL VIEWS			
FORMAT: A3		E: 2/25						REMARKS:			