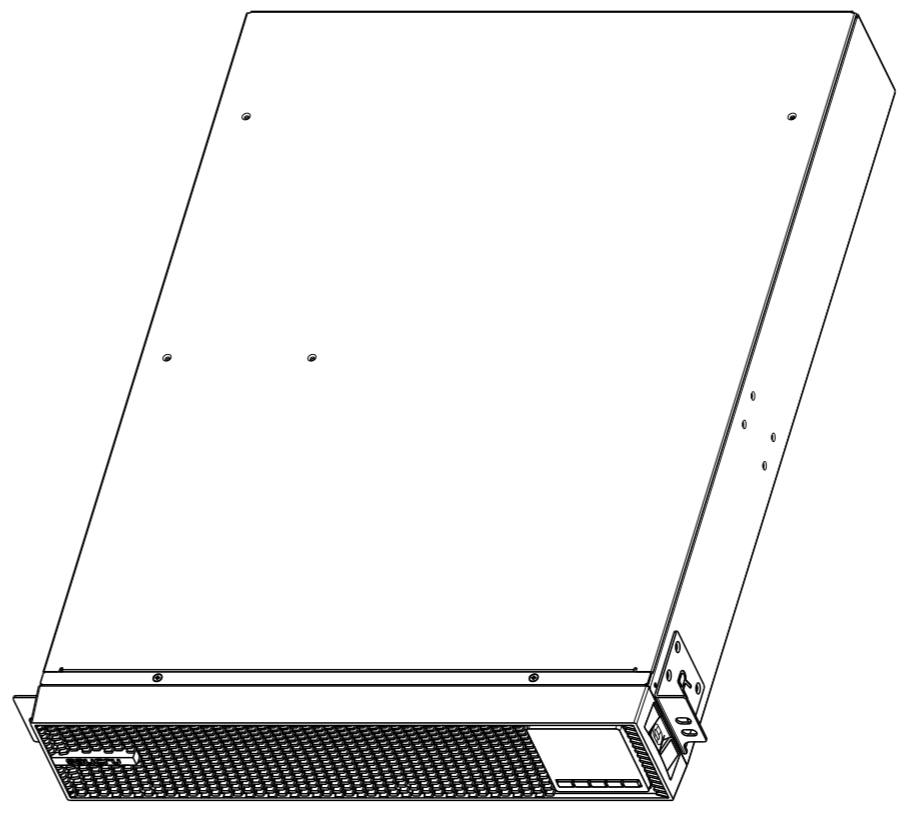
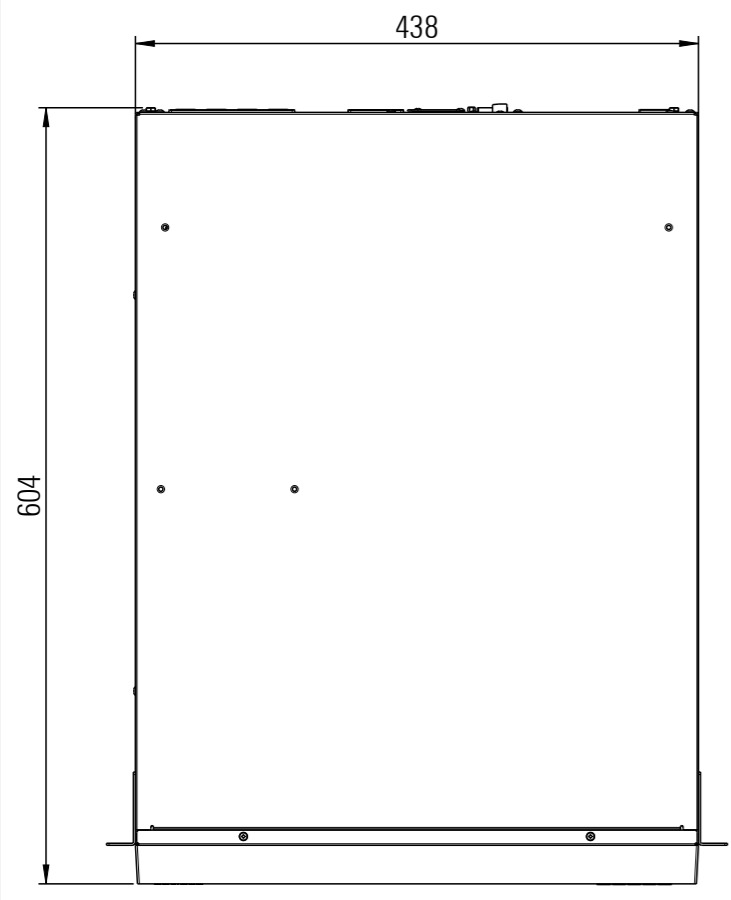
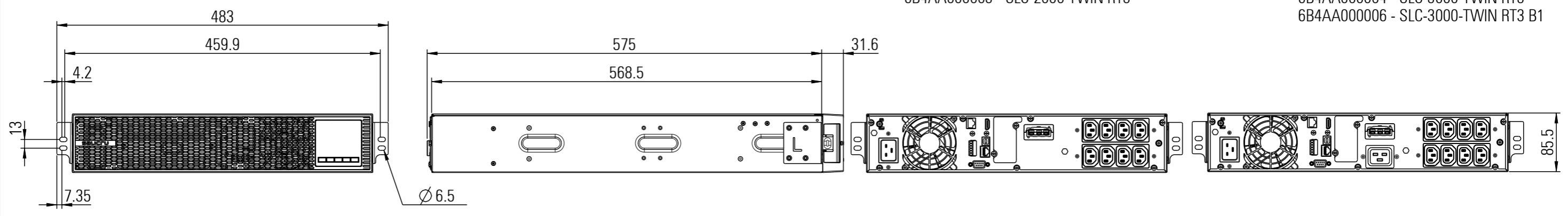


A
B
C
D
E
F
G
H
I
J

6B4AA000003 - SLC-2000-TWIN RT3

6B4AA000004 - SLC-3000-TWIN RT3
6B4AA000006 - SLC-3000-TWIN RT3 B1



1.- UPDATE OF MEASURES

MATERIAL				CUT TOLERANCES	FOLD TOLERANCES
COATING				< 100mm: ± 0.1 mm	< 500mm: ± 0.5 mm
MATERIAL	THICKNESS	COLOUR	FINISHING	100 TO < 500mm: ± 0.2 mm	500 TO < 1000mm: ± 1 mm
				500 TO < 1000mm: ± 0.3 mm	> = 1000mm: ± 2 mm
				> = 1000mm: ± 0.5 mm	DRILL TOLERANCES
				ANGULAR TOLERANCES	< $\varnothing 6$ mm: ± 0.1 mm
				$\pm 0.5^\circ$	> = $\varnothing 6$ mm: ± 0.2 mm

	N° DIAGRAM	
	FB276B03	
	PAGE / PAGES	
	1 / 1	
DRAWN BY	6B4AA000003/4/6 - SLC-2000/3000-TWIN RT3 B1 COMMERCIAL VIEWS	
LUCAS CARROZA		
DATE		
15/04/2023	FORMAT: A3	E: 17/10Q REMARKS: