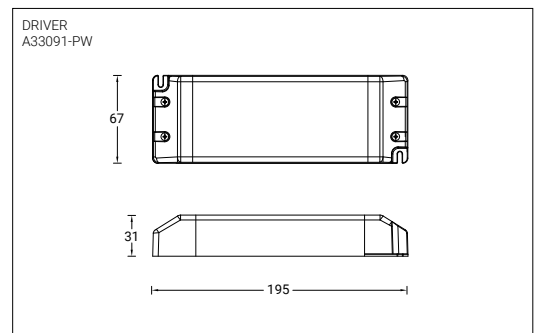
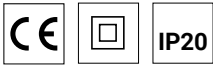


POWER SUPPLIES (A33091-PW)



Product description

Driver - 200 W - IP20 - Constant Volts - 24V DC

Technical information

Output watts	200 W
Output volts	24V
Output amps	8.33A
AC input volts	220-240V
Power factor	0.90
Operating temperature	-20°C ~ +45°C
AC inrush current	75A peak @ 230V
Compliance	

Warranty	3 years
Dimensions	W67 × H31 × L195 mm.
Ingress protection	Indoor use only
Electrical protection	Overload, short circuit, Overheat and automatic re-start
Connection method	Concealed screw terminals, 1.5mm max
Control	Dimmable on the secondary output only by PWM
Distance from installation (Secondary Output)	Recommended under 10 metres

We reserve the right to make technical and design changes.

Edition: 12-12-2019

www.ligman.com

EUROPE
 LIGMAN EUROPE s.r.o.
 VGP Park Ústí nad Labem
 P 2 120
 40317, Přestanov
 Czech Republic
 +420 477 071 500
sales.cz@ligman.com

ASIA PACIFIC
 LIGMAN Lighting Co.,Ltd.
 17/2 Moo4 Monthong
 Bangnampreaw
 24150, Chachoengsao
 Thailand
 +66 2 108 6700
info@ligman.com