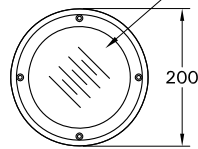
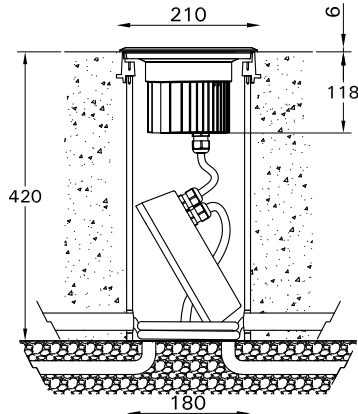


For Installation of Harrier Inground Uplight round and square 200mm. LED.
Model. HA-60050 and HA-60215

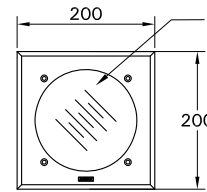
Product drawing (dimensions)

CEIP67 IK10 CLASS I $\varnothing 0.5m$

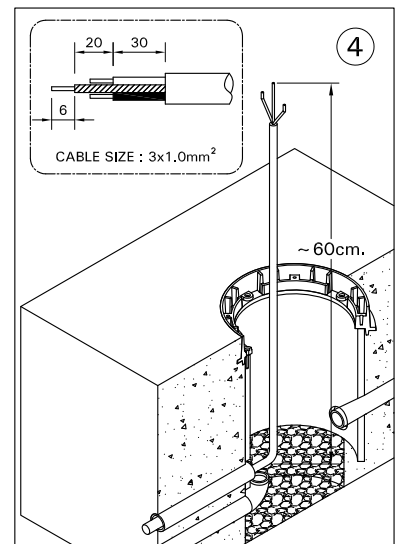
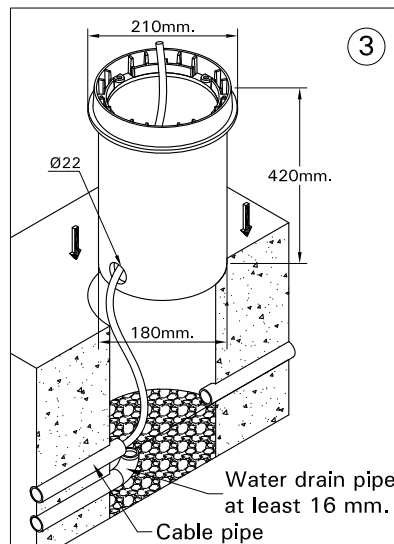
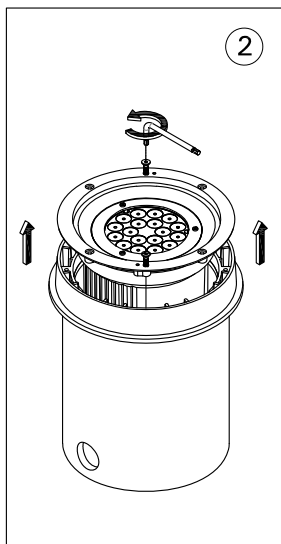
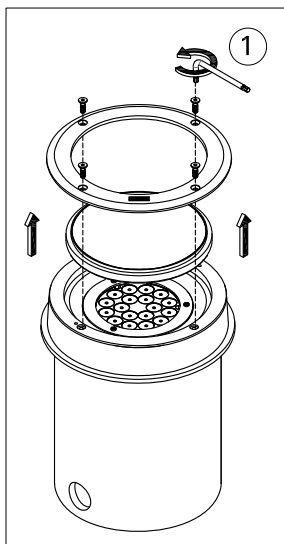
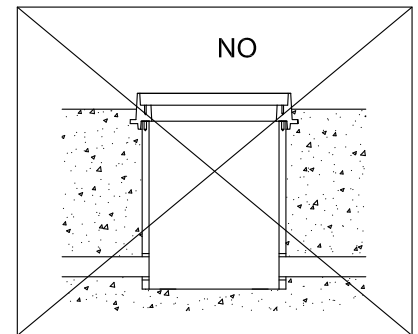
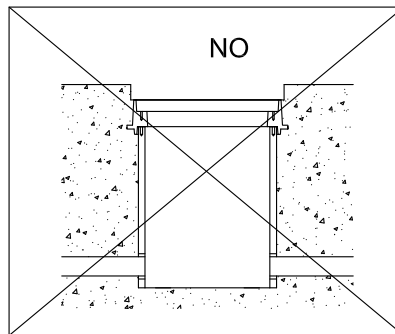
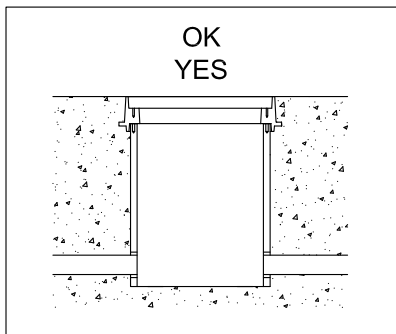
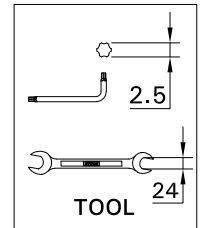
Walk over 200kg.



Ta 25°C
Glass surface temp
HA-60050 = 45°C



Ta 25°C
Glass surface temp
HA-60215 = 45°C



- LIGMAN standard products are supplied with the control gear 220-240V 50/60Hz. The control gear for other voltages and frequencies is available upon request, please consult us for more details.
- LIGMAN luminaires are designed to conform IEC 60598 2-13 standard.

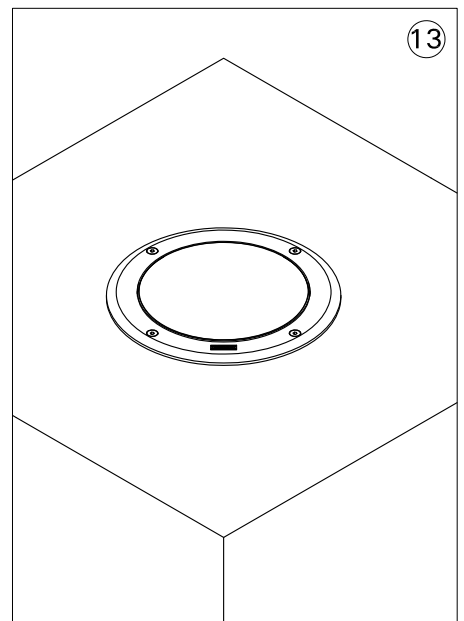
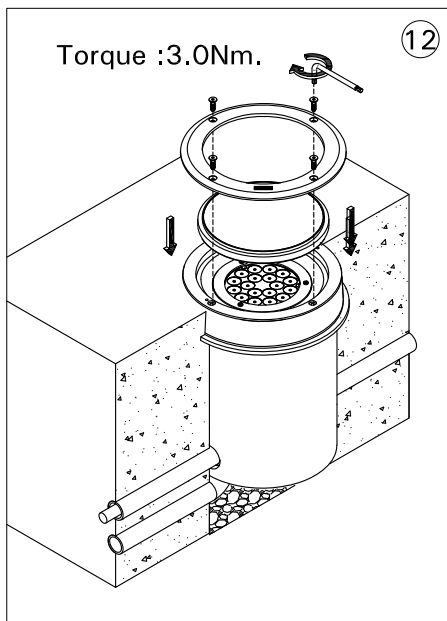
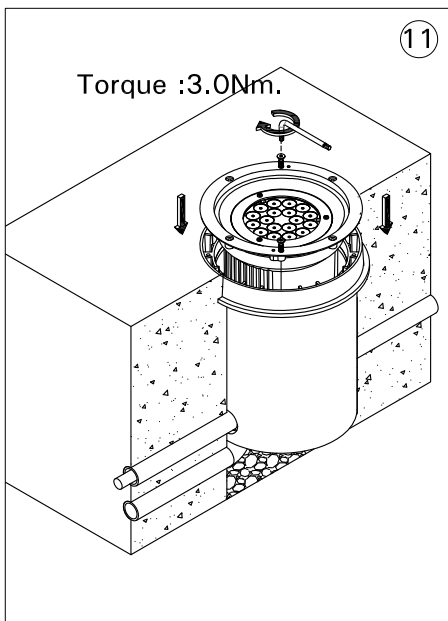
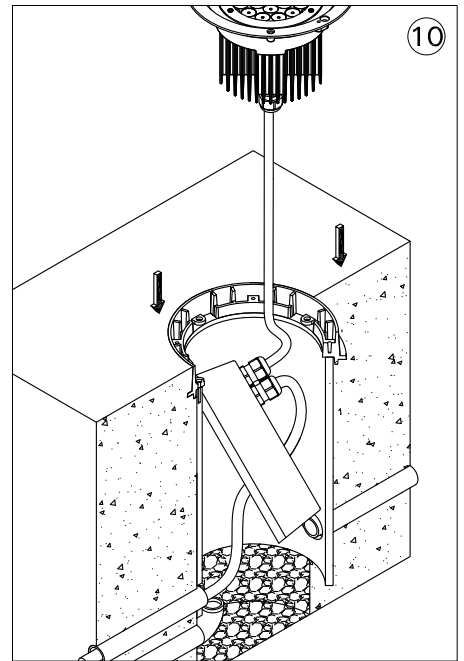
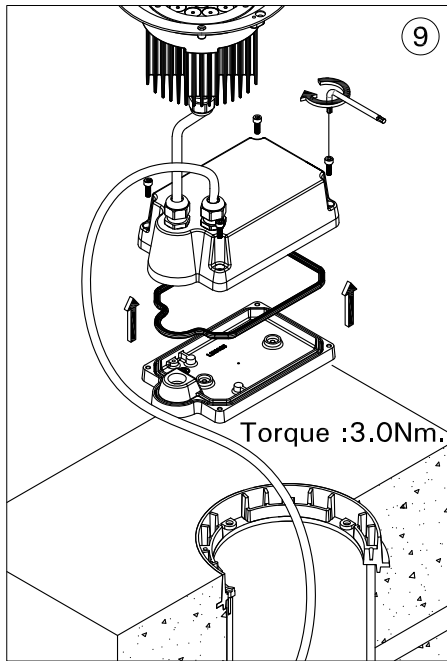
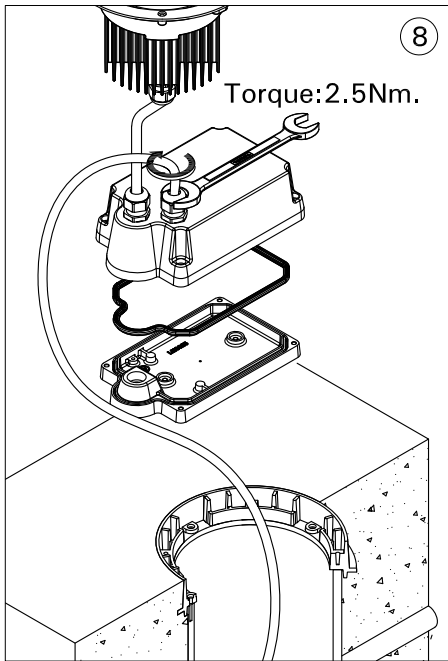
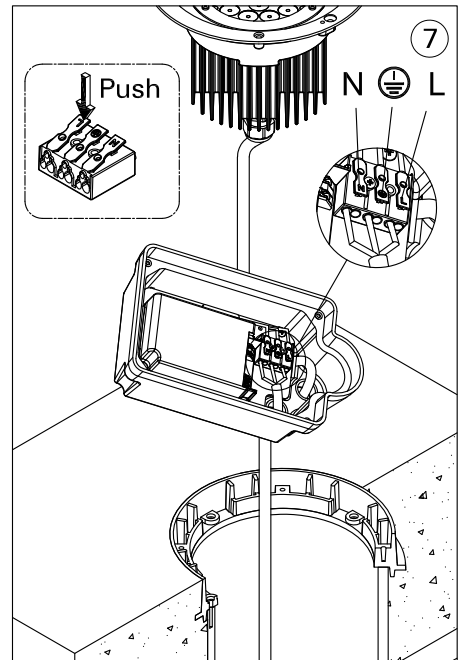
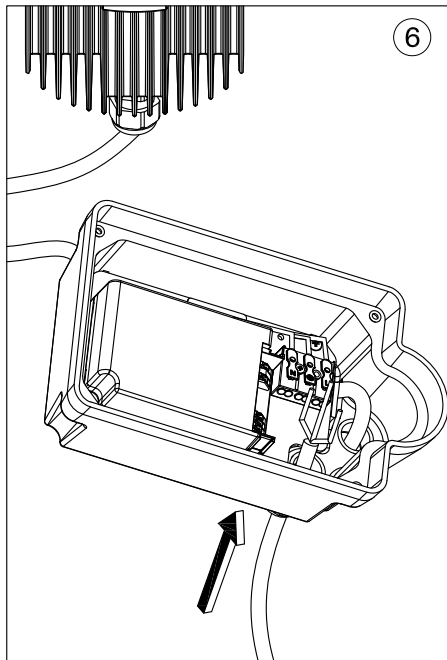
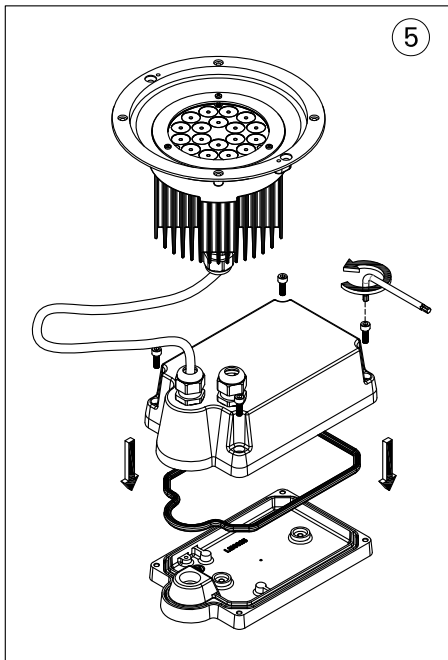
Technical amendments and modifications techniques reserved.

Ligman Lighting

Europe Headquarters
Ligman Europe s.r.o.
VGP Park Usti nad Labem, P 2
Prestanov 113
403 17 Prestanov
Czech Republic
Tel. +420 608 740 504 | sales.cz@ligman.com

Thailand Headquarters
Ligman Lighting Co., Ltd.
17/2 Moo 4, Monthong, Bangnampreaw
Chachoengsao 24150 Thailand
Tel : +66 (2) 7339140
info@ligman.com

Ligman SAS France
7 rue Antoine Becquerel
Centre d'activités Triasis
31140, Launaguet
Tel: +33 5 61 70 24 62
sales.fr@ligman.com



Note : Brush finish stainless steel products requirement to wipe the product periodically with a light oil (WD40 or equivalent) to remove any staining.