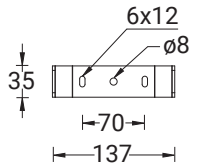
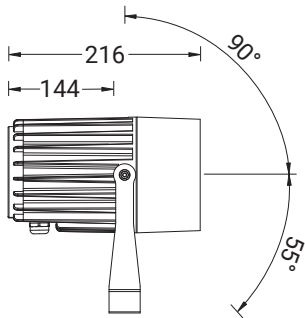
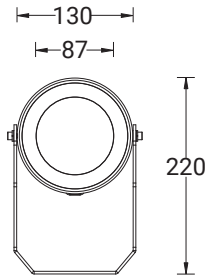


# ODESSA 2

## OD-50011



Mounting detail