

**Cluster projectors - ODESSA (2) - Very narrow (LCO-20067-VN)****Product description**

---

2 x OD-50012 projectors

**Luminaire Structure**

---

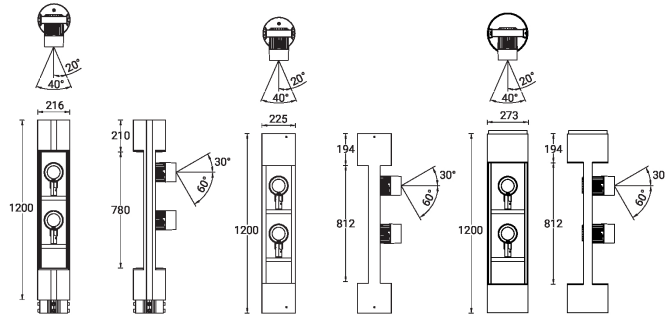
- Die-cast aluminium housing
- Pre-treated before powder coating ensuring high corrosion resistance
- Stainless steel fasteners in grade 304 with zinc flake coating (ZFC)
- Durable silicone rubber gasket
- Clear toughened glass
- High-efficiency optical reflector

**Cluster projectors - ODESSA (2) - Very narrow (LCO-20067-VN)**

**Technical information**

<b>Light source</b>	2 x 3 LED	<b>Input voltage</b>	220-240V 50/60Hz	<b>EPA (m2)</b>	0.189
<b>Power</b>	54 W	<b>Weight</b>	19,5 kg		

LCO-20067



LCO-20067-A-216  
LCO-20067-S-216  
LCO-20067-VN-A-216  
LCO-20067-VN-S-216

LCO-20067-A-225  
LCO-20067-VN-A-225

LCO-20067-S-273  
LCO-20067-VN-S-273

**Cluster projectors - ODESSA (2) - Very narrow (LCO-20067-VN)****Accessory**

---



Anti-glare louvre  
**A80231**



Anti-glare visor  
**A80131**



Linear spread lens  
**A80114**

Please contact the factory for technical details if you wish to use Anti-glare accessories, Colour filters, Lenses and slip glasses in combination.