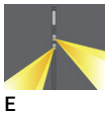
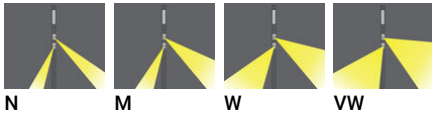


Cluster projectors - LADOR (2) (LCO-20068)**Product description**

2 x LD-50021 projectors

**Luminaire Structure**

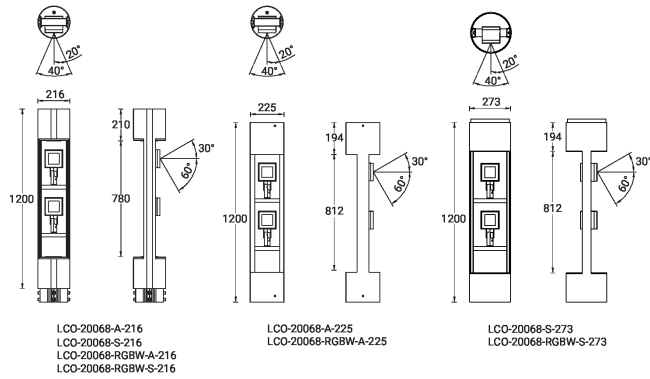
- Die-cast aluminium housing
- Pre-treated before powder coating ensuring high corrosion resistance
- Stainless steel fasteners in grade 304 with zinc flake coating (ZFC)
- Durable silicone rubber gasket
- Clear toughened glass
- High-efficiency optical reflector

Optic

Cluster projectors - LADOR (2) (LCO-20068)
Technical information

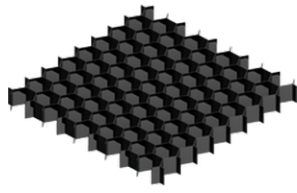
Light source	2 x 9 LED	Optic	N, M, W, VW, E	ULOR	0, <1%
Power	42 W	Optic value	10°, 18°, 29°, 69°, 12°x41°	CIE flux code n°3	100
Lumen	3084 - 3950 lm	CCT / CRI	3000K CRI80, 4000K CRI80	Dimming type	On/Off, DALI
Efficacy	91 - 116 lm/W	Bug	B2-U0-G0	Weight	18.5 kg
Input voltage	220-240V 50/60Hz	ULR	0, <1%	EPA (m2)	0.148

LCO-20068



Cluster projectors - LADOR (2) (LCO-20068)**Accessory**

Anti-glare visor
A53031



Honeycomb louvre
A52021



Linear spread lens
A51314



Top cover for L-COLUMN
A21591

Please contact the factory for technical details if you wish to use Anti-glare accessories, Colour filters, Lenses and slip glasses in combination.