

FREETOWN 2 (FRE-10011)



Product description

Ø186 - 1000 mm - Down (Optic) & Down (Optic 2nd)



Luminaire Structure

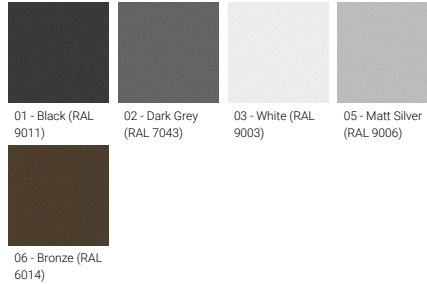
- Die-cast aluminium housing
- Single cable entry
- One IP68 connector supplied with 0.2 m of 3x1.0 sqmm outdoor cable
- Stainless steel fasteners in grade 304 with zinc flake coating (ZFC)
- Durable silicone rubber gasket
- Clear toughened glass
- High-efficiency PMMA lens
- Integral control gear

Optic



G

Product colour



Special finishes upon request



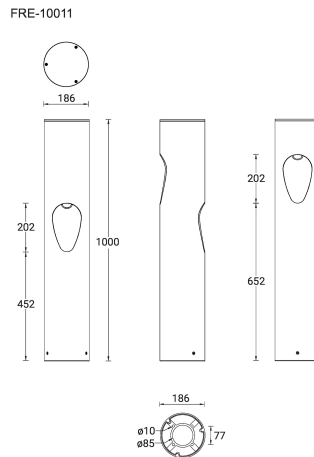
FREETOWN 2 (FRE-10011)

Technical information

| | |
|----------------------|-----------------------|
| Material | Aluminium |
| Light source | 2 x 1 LED |
| Power | 22 W |
| Lumen | 1296 - 1362 lm |
| Efficacy | 59 - 62 lm/W |
| Driver option | Integral control gear |
| Driver | Constant current (CC) |
| Input voltage | 220-240 V 50/60 Hz |

| | |
|--------------------------|--------------------------|
| Optic | G |
| Optic value | 22°x113° |
| CCT / CRI | 3000K CRI80, 4000K CRI80 |
| Bug | B1-U1-G0 |
| ULR | <1% |
| ULOR | <1% |
| CIE flux code n°3 | 99 |
| Dimming type | On/Off, 1-10V, DALI |

| | |
|---------------------------------------|--|
| Product colours | Black, Dark Grey, White, Matt Silver, Bronze, Concrete - Urban, Softscape - Urban, Stone - Urban, Corten - Urban, Oak - Woodland, Walnut - Woodland, Pine - Woodland |
| Weight | 8.5 kg |
| Operating temperature | -20 °C to 40 °C |
| Cable | One IP68 connector supplied with 0.2 m of 3x1.0 sqmm outdoor cable |
| Through wiring | Single cable entry |
| Lens / Reflector / Optic | Clear toughened glass, High-efficiency PMMA lens |
| Variants (On/Off, 1-10V, DALI) | Compatible with EN/ IEC 60598-2-22: Suitable for emergency installations as central supply, non-maintained (Z0) |



FREETOWN 2 (FRE-10011)**Accessory**



Anchor bolt
A10391



DALI Control System
Control-DALI