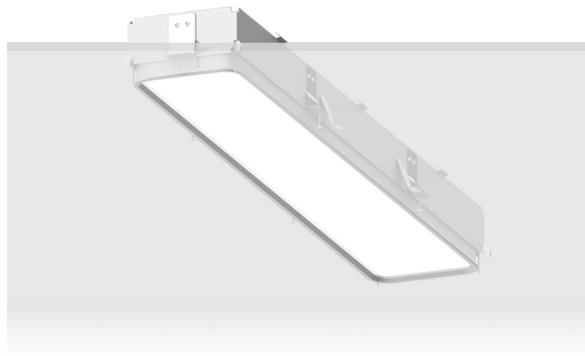


PITTSFIELD 1 (PIT-80013)



Product description

Down - 1070 mm - Tunable White



microPrim™

Luminaire Structure

- Extruded aluminium bended profile with powder coating
- Passive thermal management
- Stainless steel fasteners in grade 304 with zinc flake coating (ZFC)
- PMMA diffuser with Opal (UGR <19) and micro prismatic (UGR <13) options for better glare control

- Integral control gear
- Stainless steel brackets and screws for mounting
- Down light distribution only
- Wireless control available through Bluetooth connection

- Daylight and occupancy sensor options
- Emergency module (1 or 3 hours) is available upon request with 3 options (BASIC, SELF-TEST, PRO-DALI)

Optic



Product colour

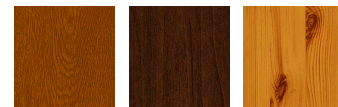


01 - Black (RAL 9011) 03 - White (RAL 9003) 05 - Matt Silver (RAL 9006)

Special finishes upon request



SU01 - Concrete - Urban SU02 - Softscape - Urban SU03 - Stone - Urban SU04 - Corten - Urban



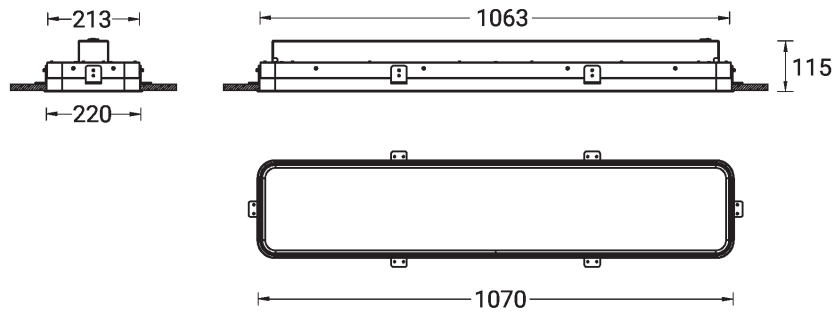
SW01 - Oak - Woodland SW02 - Walnut - Woodland SW03 - Pine - Woodland

PITTSFIELD 1 (PIT-80013)

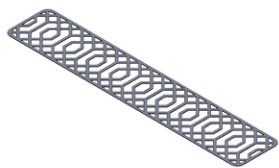
Technical information

Material	Aluminium	Driver option	Integral control gear	Dimming type	DALI
Light source	864 LED	Driver	Constant current (CC)	Product colours	Black, White, Matt Silver, Concrete - Urban, Softscape - Urban, Stone - Urban, Corten - Urban, Oak - Woodland, Walnut - Woodland, Pine - Woodland
Power	43 W	Input voltage	220-240 V 50/60 Hz		
Lumen	5444 lm	Optic	O, P	Weight	5.2 kg
Efficacy	127 lm/W	CCT / CRI	TW (2700K - 6500K)	Operating temperature	-20 °C to 40 °C
				Variants (DALI)	Compatible with EN/ IEC 60598-2-22: Suitable for emergency installations as central supply, non-maintained (Z0)

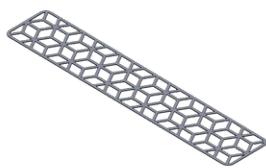
PIT-80013



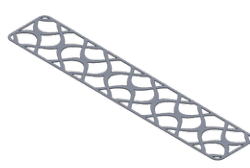
PITTSFIELD 1 (PIT-80013)**Accessory**



Decorative pattern - Type A for
PITTSFIELD 1060 mm
A92021



Decorative pattern - Type B for
PITTSFIELD 1060 mm
A93421



Decorative pattern - Type C for
PITTSFIELD 1060 mm
A94821



Xpress wireless switch
A90591



DALI Control System
Control-DALI
