

ODESSA 14 (OD-50162)



Product description

Large - RGBW - IP66

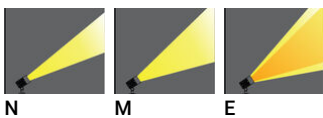


microPrim™

Luminaire Structure

- Die-cast aluminium housing
- Pre-treated before powder coating ensuring high corrosion resistance
- Adjustable: Tilt 80° (Up) & 40° (Down), Rotation 350°
- Single cable entry
- Stainless steel fasteners in grade 304 with zinc flake coating (ZFC)
- Durable silicone rubber gasket
- High-efficiency PMMA lens
- Clear toughened glass
- Integral control gear

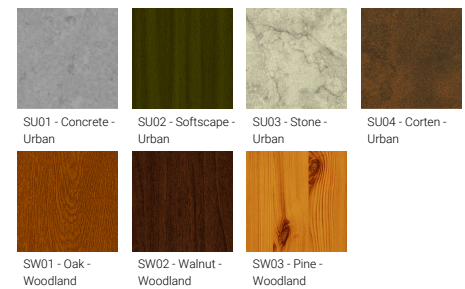
Optic



Product colour



Special finishes upon request



ODESSA 14 (OD-50162)

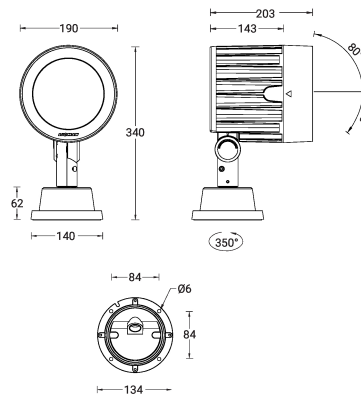
Technical information

Material	Aluminium
Light source	7 LED
Power	33 W
Lumen	1192 - 1422 lm
Efficacy	36 - 43 lm/W
Driver option	Integral control gear
Driver	Constant current (CC)
Input voltage	220-240 V 50/60 Hz

Optic	N, M, E
Optic value	20°, 34°, 24° x 49°
CCT / CRI	RGBW30, RGBW40
Dimming type	DMX, DMX/RDM
Product colours	Black, Dark Grey, White, Matt Silver, Bronze, Concrete - Urban, Softscape - Urban, Stone - Urban, Corten - Urban, Oak - Woodland, Walnut - Woodland, Pine - Woodland
Weight	6.0 kg
Operating temperature	-20 °C to 40 °C
EPA (m2)	0.049

Through wiring	Single cable entry
Lens / Reflector / Optic	High-efficiency PMMA lens, Clear toughened glass
MacAdam Ellipse	7 SDCM
Lifetime L90B10 (hours)	> 15,000
Lifetime L80B10 (hours)	> 31,000
Lifetime L80B50 (hours)	> 34,000
Variants (DMX, DMX/RDM)	Compatible with EN/ IEC 60598-2-22: Suitable for emergency installations as central supply, non-maintained (Z0)

OD-50162



Accessory



Anti glare visor
A54431



Anti glare louvre
A54631



Linear spread lens
A51814



Honeycomb louvre
A54121



DMX Control System
Control-DMX



DMX/RDM Control System
Control-DMX-RDM

Please contact the factory for technical details if you wish to use Anti-glare accessories, Colour filters, Lenses and slip glasses in combination.