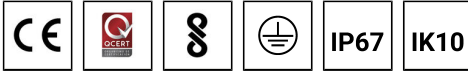


MASK 1 (MK-60249)



Product description

With recessing box / driver - Optic 90°



microPrim™

Luminaire Structure

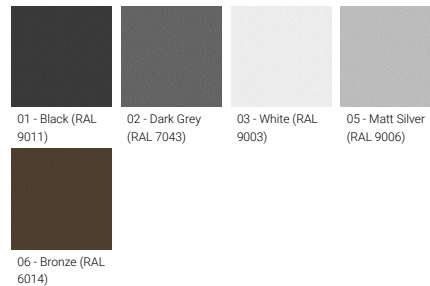
- Die-cast aluminium housing and frame
- Pre-treated before powder coating ensuring high corrosion resistance
- Single cable entry, through wiring upon request
- One cable gland supplied with 1 m of 3x1.0 sqmm outdoor cable
- Stainless steel fasteners in grade 316
- Durable silicone rubber gasket
- High-efficiency glass lens
- Integral control gear
- Recessing box in high-density polyethylene is included
- To ensure efficient drainage, gravel must be used to a depth of 450 mm and width of 300 mm beneath the housing and should also be placed around luminaire
- Suitable for drive-over with a maximum load of 4,000 kg for MK-60249, MK-60259, 2,000 kg for MK-60269, 1,000 kg for MK-60729
- Vehicles with pneumatic tires can drive over the luminaire but the speed must not exceed 10 km/h
- Load is transferred by the housing to the foundation

Optic

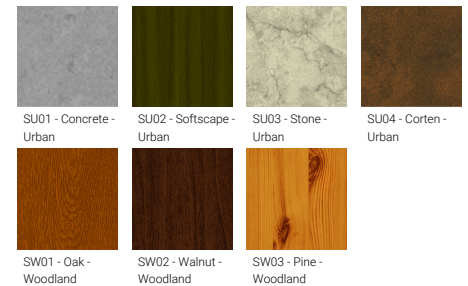


G

Product colour



Special finishes upon request



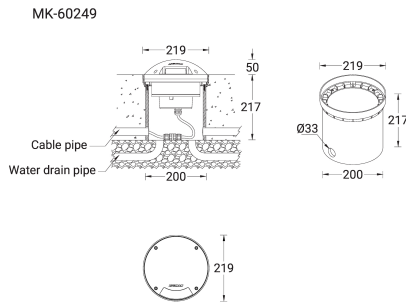
MASK 1 (MK-60249)

Technical information

Material	Aluminium
Light source	1 COB
Power	4 W
Lumen	104 - 112 lm
Efficacy	26 - 28 lm/W
Driver option	Integral control gear
Driver	Constant current (CC)

Input voltage	220-240 V 50/60 Hz
Optic	G
Optic value	90°
CCT / CRI	3000K CRI80, 4000K CRI80
Dimming type	On/Off, 1-10V, DALI
Product colours	Black, Dark Grey, White, Matt Silver, Bronze, Concrete - Urban, Softscape - Urban, Stone - Urban, Corten - Urban, Oak - Woodland, Walnut - Woodland, Pine - Woodland
Weight	4.6 kg

Operating temperature	-20 °C to 40 °C
Cable	One cable gland supplied with 1 m of 3x1.0 sqmm outdoor cable
Through wiring	Single cable entry, through wiring upon request
Lens / Reflector / Optic	High-efficiency glass lens
MacAdam Ellipse	3 SDCM
Lifetime L90B10 (hours)	> 50,000
Variants (On/Off, 1-10V, DALI)	Compatible with EN/ IEC 60598-2-22: Suitable for emergency installations as central supply, non-maintained (Z0)



MASK 1 (MK-60249)

Accessory



DALI Control System
Control-DALI
