

**COLUMBUS 1 (CO-10117-2-SB)**



**Product description**

Ø216 - 711 mm - Flat top - With integrated security core (Anti-traffic)



**Luminaire Structure**

- Die-cast aluminium housing
- Extruded aluminium column
- Pre-treated before powder coating ensuring high corrosion resistance
- Single cable entry
- One IP68 connector supplied with 0.2 m of 3x1.0 sqmm outdoor cable
- Stainless steel fasteners in grade 304 with zinc flake coating (ZFC)
- Durable silicone rubber gasket
- Anodised, high-purity aluminium reflector
- Clear UV-stabilised polycarbonate diffuser
- Integral control gear

**Optic**



G

**Product colour**



**Special finishes upon request**



**COLUMBUS 1 (CO-10117-2-SB)**

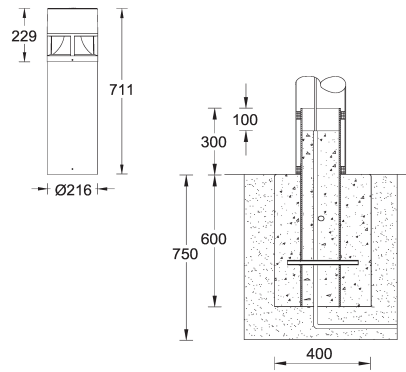
**Technical information**

<b>Light source</b>	1 COB
<b>Power</b>	41 W
<b>Lumen</b>	983 - 995 lm
<b>Efficacy</b>	25 - 26 lm/W
<b>Driver option</b>	Integral control gear
<b>Driver</b>	Constant current (CC)
<b>Input voltage</b>	220-240 V 50/60 Hz
<b>Optic</b>	G

<b>Optic value</b>	115°x 129°
<b>CCT / CRI</b>	3000K CRI80, 4000K CRI80
<b>Bug</b>	B1-U3-G1
<b>ULR</b>	21%
<b>ULOR</b>	21%
<b>CIE flux code n°3</b>	88
<b>Dimming type</b>	On/Off, 1-10V, DALI
<b>Product colours</b>	Black, Dark Grey, White, Matt Silver, Bronze, Concrete - Urban, Softscape - Urban, Stone - Urban, Corten - Urban, Oak - Woodland, Walnut - Woodland, Pine - Woodland

<b>Weight</b>	31.6 kg
<b>Operating temperature</b>	-20 °C to 40 °C
<b>Cable</b>	One IP68 connector supplied with 0.2 m of 3x1.0 sqmm outdoor cable
<b>Through wiring</b>	Single cable entry
<b>Lens / Reflector / Optic</b>	Anodised, high-purity aluminium reflector, Clear UV-stabilised polycarbonate diffuser
<b>Variants (1-10V, DALI)</b>	Compatible with EN/ IEC 60598-2-22: Suitable for emergency installations as central supply, non-maintained (Z0)

CO-10117-2-SB



**COLUMBUS 1** (CO-10117-2-SB)

**Accessory**

---



DALI Control System  
**Control-DALI**

---