

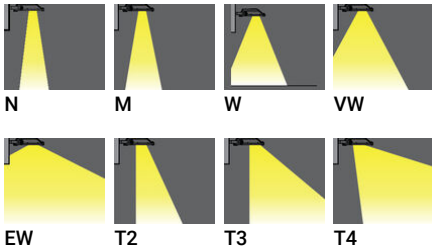
GANDALF 22 (GA-31914)



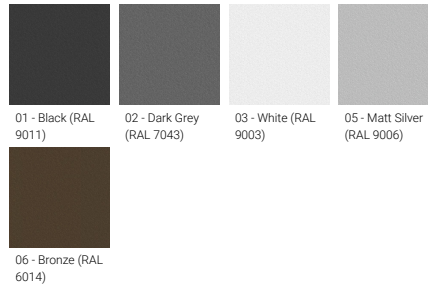
Luminaire Structure

- Die-cast aluminium housing
- Pre-treated before powder coating ensuring high corrosion resistance
- Two cable entries for through wiring
- Stainless steel fasteners in grade 304 with zinc flake coating (ZFC)
- Durable silicone rubber gasket
- High-efficiency PMMA lens
- Clear toughened glass
- Integral control gear

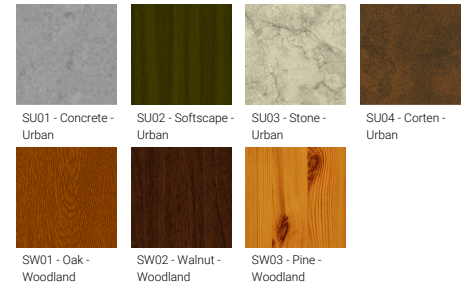
Optic



Product colour



Special finishes upon request



GANDALF 22 (GA-31914)

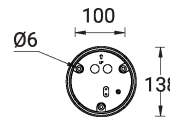
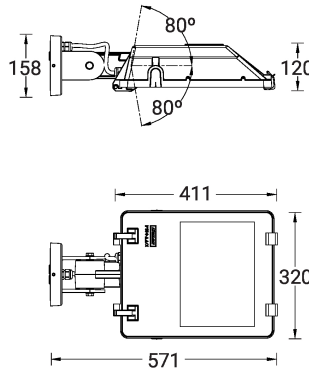
Technical information

| | |
|----------------------|-----------------------------|
| Material | Aluminium |
| Light source | 48 LED |
| Power | 74 W |
| Lumen | 7282 - 9862 lm |
| Efficacy | 98 - 133 lm/W |
| Driver option | Integral control gear |
| Driver | Constant current (CC) |
| Input voltage | 220-240 V 50/60 Hz |
| Optic | N, M, W, VW, EW, T2, T3, T4 |

| | |
|--------------------------|--|
| Optic value | 11°, 30°, 57°, 68°, 115°, 140°x42°, 148°x73°, 118°x79° |
| CCT / CRI | 3000K CRI80, 4000K CRI80 |
| Bug | B1-U0-G1, B2-U0-G1, B2-U0-G2, B3-U0-G0, B4-U0-G0 |
| ULR | <1% |
| ULOR | <1% |
| CIE flux code n°3 | 100, 97, 98, 99 |
| Dimming type | On/Off, 1-10V, DALI |
| Product colours | Black, Dark Grey, White, Matt Silver, Bronze, Concrete - Urban, Softscape - Urban, Stone - Urban, Corten - Urban, Oak - Woodland, Walnut - Woodland, Pine - Woodland |
| Weight | 9.5 kg |

| | |
|---------------------------------------|---|
| Operating temperature | -20 °C to 40 °C |
| Through wiring | Two cable entries for through wiring |
| Lens / Reflector / Optic | High-efficiency PMMA lens, Clear toughened glass |
| MacAdam Ellipse | 3 SDCM |
| Lifetime L90B10 (hours) | > 90,000 |
| Lifetime L80B10 (hours) | > 90,000 |
| Lifetime L80B50 (hours) | > 90,000 |
| Variants (On/Off, 1-10V, DALI) | Compatible with EN/ IEC 60598-2-22: Suitable for emergency installations as central supply, non-maintained (Z0) |

GA-31914



GANDALF 22 (GA-31914)

Accessory



DALI Control System
Control-DALI
