

LIGHT LINEAR PT 6 (LI-21182-LC)



Product description

2 sides - Supplied with specific square, straight aluminium pole - Height options: 3 - 6 m - LIGHTCONNECT™



Luminaire Structure

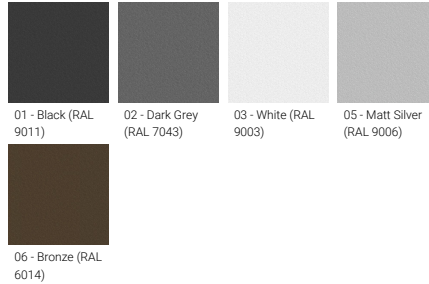
- Die-cast aluminium housing
- Extruded aluminium column
- Pre-treated before powder coating ensuring high corrosion resistance
- Single cable entry
- Stainless steel fasteners in grade 304 with zinc flake coating (ZFC)
- Durable silicone rubber gasket
- Clear toughened glass
- High-efficiency polycarbonate lens
- Integral control gear
- Maximum wind load resistance is 100 km/h
- Surge protection 10kV

Optic



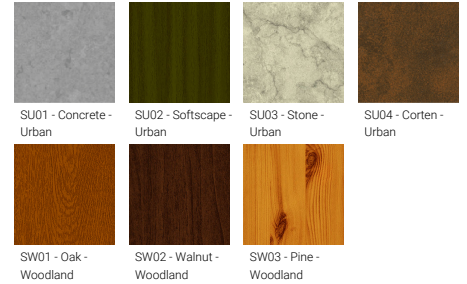
T2 T3 T4

Product colour



01 - Black (RAL 9011) 02 - Dark Grey (RAL 7043) 03 - White (RAL 9003) 05 - Matt Silver (RAL 9006) 06 - Bronze (RAL 6014)

Special finishes upon request



SU01 - Concrete - Urban SU02 - Softscape - Urban SU03 - Stone - Urban SU04 - Corten - Urban SW01 - Oak - Woodland SW02 - Walnut - Woodland SW03 - Pine - Woodland

LIGHT LINEAR PT 6 (LI-21182-LC)

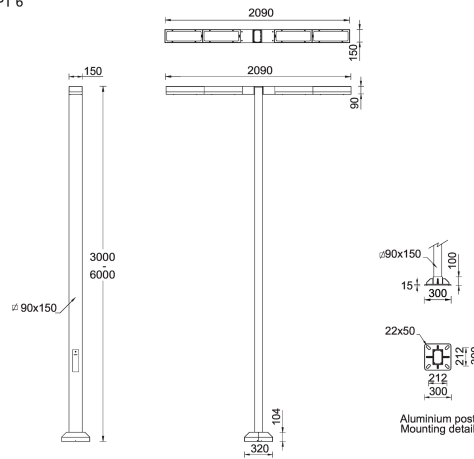
Technical information

| | |
|----------------------|-----------------------|
| Material | Aluminium |
| Light source | 2 x 48 LED |
| Power | 210 W |
| Lumen | 23636 - 27100 lm |
| Efficacy | 113 - 129 lm/W |
| Driver option | Integral control gear |
| Driver | Constant current (CC) |
| Input voltage | 220-240 V 50/60 Hz |
| Optic | T2, T3, T4 |

| | |
|--------------------------|--|
| Optic value | 52°x138°, 72°x124°, 68°x110° |
| CCT / CRI | 2700K CRI80, 3000K CRI80, 4000K CRI80 |
| Bug | B3-U1-G3 |
| ULR | <1% |
| ULOR | <1% |
| CIE flux code n°3 | 97, 98 |
| Dimming type | DALI |
| Product colours | Black, Dark Grey, White, Matt Silver, Bronze, Concrete - Urban, Softscape - Urban, Stone - Urban, Corten - Urban, Oak - Woodland, Walnut - Woodland, Pine - Woodland |
| Weight | 40.8 kg |

| | |
|---------------------------------|---|
| Operating temperature | -20 °C to 40 °C |
| EPA (m2) | 0.180 |
| Through wiring | Single cable entry |
| Lens / Reflector / Optic | Clear toughened glass, High-efficiency polycarbonate lens |
| MacAdam Ellipse | 3 SDCM |
| Lifetime L90B10 (hours) | > 90,000 |
| Lifetime L80B10 (hours) | > 90,000 |
| Lifetime L80B50 (hours) | > 90,000 |
| Variants (DALI) | Compatible with EN/ IEC 60598-2-22: Suitable for emergency installations as central supply, non-maintained (Z0) |

LIGHT LINEAR PT 6
LI-21182



LIGHT LINEAR PT 6 (LI-21182-LC)

Accessory



Circuit breaker box IP44
A21291



Root mount kit
A20891



Zhaga Book 18 socket (Down)
A90991-D



Zhaga Book 18 socket (Up)
A90991-U



Motion sensor - PIR - DALI - Up to 12 m
A91691-L7



Motion sensor - PIR - DALI - Up to 3 m
A91691-L2



NEMA 7 socket
A90891



Internal cable support for pole 3 m
A23991



Internal cable support for pole 4 m
A24091



Internal cable support for pole 5 m
A24191



Internal cable support for pole 6 m
A24291



DALI Control System
Control-DALI

Pole (required)



3 m - Square, straight aluminium pole for LIGHT LINEAR PT - 2 sides
APC230090-PT6-LI-21182



4 m - Square, straight aluminium pole for LIGHT LINEAR PT - 2 sides
APC240090-PT6-LI-21182



5 m - Square, straight aluminium pole for LIGHT LINEAR PT - 2 sides
APC250090-PT6-LI-21182



6 m - Square, straight aluminium pole for LIGHT LINEAR PT - 2 sides
APC260090-PT6-LI-21182