

LADOR 44 (LD-50221)



Product description

Integral control gear - 120x120 mm - Class I - RGBW



microPrim™

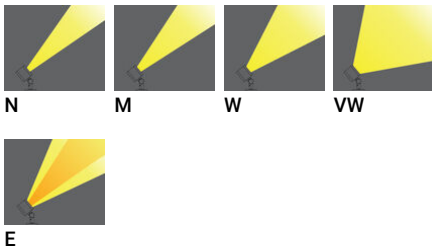
Luminaire Structure

- Die-cast aluminium housing
- Pre-treated before powder coating ensuring high corrosion resistance
- Thermal heat dissipation body
- Adjustable: Tilt 80° (Up) & 40° (Down), Rotation 350°

- Single cable entry
- Stainless steel fasteners in grade 304 with zinc flake coating (ZFC)
- Durable silicone rubber gasket
- High-efficiency PMMA lens

- Clear toughened glass
- Integral control gear

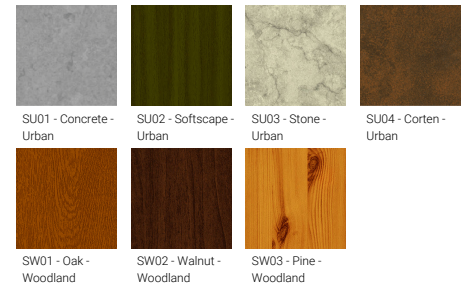
Optic



Product colour



Special finishes upon request



LADOR 44 (LD-50221)

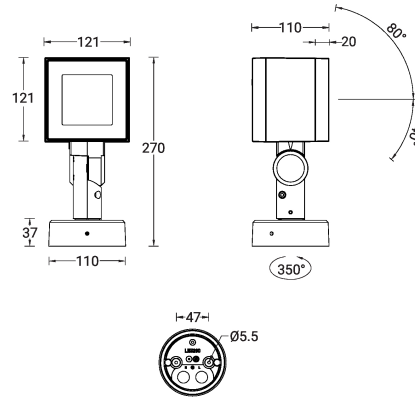
Technical information

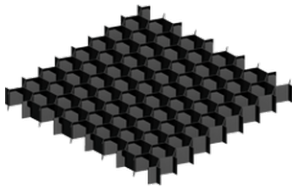
Material	Aluminium
Light source	8 LED
Power	22 W
Lumen	853 - 1133 lm
Efficacy	39 - 52 lm/W
Driver option	Integral control gear
Driver	Constant current (CC)
Input voltage	220-240 V 50/60 Hz

Optic	N, M, W, VW, E
Optic value	8°, 17°, 26°, 65°, 43°x11°
CCT / CRI	RGBW30, RGBW40
Bug	B1-U0-G0
ULR	<1%
ULOR	<1%
CIE flux code n°3	100
Dimming type	DMX, DMX/RDM

Product colours	Black, Dark Grey, White, Matt Silver, Bronze, Concrete - Urban, Softscape - Urban, Stone - Urban, Corten - Urban, Oak - Woodland, Walnut - Woodland, Pine - Woodland
Weight	2.8 kg
Operating temperature	-20 °C to 40 °C
EPA (m2)	0.026
Through wiring	Single cable entry
Lens / Reflector / Optic	High-efficiency PMMA lens, Clear toughened glass
Variants (DMX/RDM)	Compatible with EN/ IEC 60598-2-22: Suitable for emergency installations as central supply, non-maintained (Z0)

LD-50221



LADOR 44 (LD-50221)**Accessory**DMX Control System
Control-DMXDMX/RDM Control System
Control-DMX-RDMGround spike
A51041Linear spread lens
A51314Honeycomb louvre
A52021Anti-glare visor
A53031Mounting belt
A50291

Please contact the factory for technical details if you wish to use Anti-glare accessories, Colour filters, Lenses and slip glasses in combination.