

LIGHTSOFT 19 (LH-10811)



Product description

186x186 mm - 1000 mm - 35.5 hours of operation time (2 Step dimming with motion sensor override) - 5.5 days of autonomy



microVos microPrim™

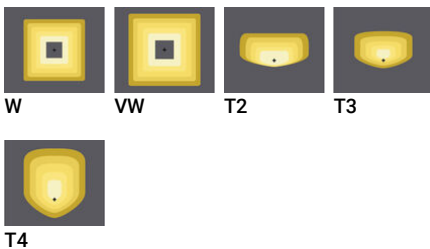
Luminaire Structure

- Die-cast aluminium housing
- Extruded aluminium column
- Pre-treated before powder coating ensuring high corrosion resistance
- Stainless steel fasteners in grade 304 with zinc flake coating (ZFC)
- Durable silicone rubber gasket
- High-efficiency polycarbonate lens
- Anodised, high-purity aluminium reflector
- Solar panel mono-crystalline silicon high-efficiency 4x10W

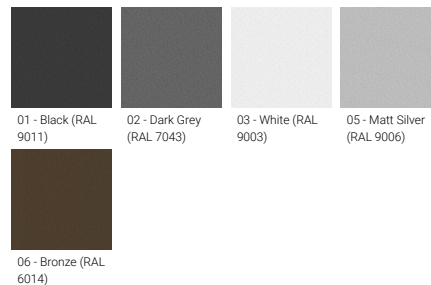
- Lithium Iron Phosphate (LiFePO4) battery 18Ah 12 VDC
- Solar charger controller system 12V 10A
- Luminaires operation time depends on the weather conditions
- Full automatic electronic protection function against short circuit, overcurrent, overload, overvoltage and high temperature
- Standard: Off-grid, 100% solar, not connected to the utility grid. Utility grid connection is available upon request
- Without any sun (Autonomy), the battery would last for a maximum 5 days
- * Motion sensor integrated
- Different dimming options are available

- STD: 2 Step dimming with motion sensor override (3 hours: 60% without movement, 100% for 1 minute when the motion sensor activated. After 3 hours: 30% without movement, 60% for 1 minute when the motion sensor activated)
- ND: Dusk to Dawn, CT: Custom examples are 5 Step dimming, Custom hours, Custom dimming levels (Step length and minimum dim level is 10%)
- Maximum 35.5 hours of operation time (2 Step dimming with motion sensor override)
- Remote solar charge controller can be ordered as an accessory
- Autonomy and Operation time calculations are done with the following information: Peak Sun-Hour (PSH) is 3 hours. Hours of operation are 12 hours per day. Detection of movement is 5 times per hour.
- Autonomy and Operation time calculations are only indicative and will depend on several variable factors. Please contact the factory to determine the specific calculations for your project.

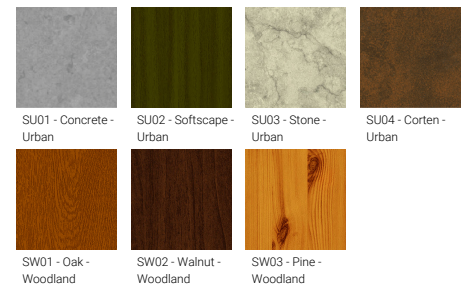
Optic



Product colour



Special finishes upon request



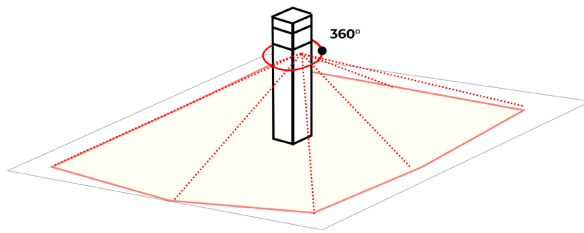
LIGHTSOFT 19 (LH-10811)

Technical information

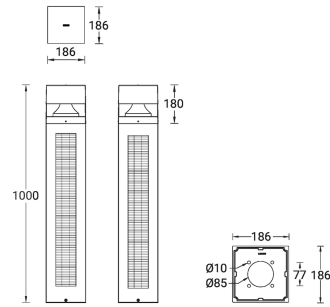
Material	Aluminium	Optic value	108°, 120°, 136°x22°, 140°x44°, 148°x78°	Lens / Reflector / Optic	High-efficiency polycarbonate lens, Anodised, high-purity aluminium reflector
Light source	24 LED	CCT / CRI	3000K CRI80, 4000K CRI80	MacAdam Ellipse	3 SDCM
Power	2 W	Dimming type	Dusk to Dawn, 2 Step dimming with motion sensor override, Solar Custom	Lifetime L90B10 (hours)	> 120,000
Lumen	176 lm	Product colours	Black, Dark Grey, White, Matt Silver, Bronze, Concrete - Urban, Softscape - Urban, Stone - Urban, Corten - Urban, Oak - Woodland, Walnut - Woodland, Pine - Woodland	Lifetime L80B10 (hours)	> 120,000
Efficacy	88 lm/W	Weight	19.0 kg	Lifetime L80B50 (hours)	> 120,000
Optic	W, VW, T2, T3, T4	Operating temperature	-20 °C to 40 °C		

LIGHTSOFT

Adjustable sensor (10 - 150 seconds)
 360° sensitivity
 Sensor detection area: 7 - 10 m



LH-10811



LIGHTSOFT 19 (LH-10811)**Accessory**



Anchor bolt
A10391



Remote solar charge controller
for Solar Integrated Post Top
luminaire
A92291