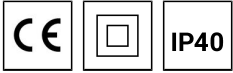
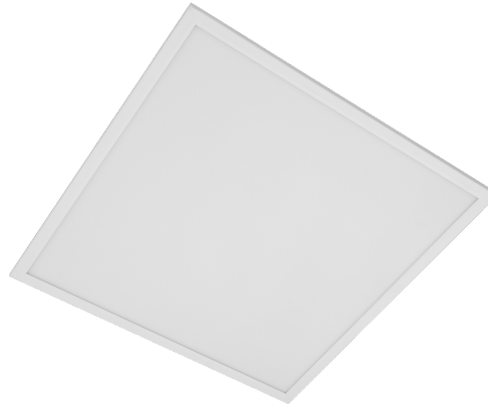
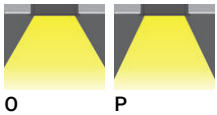


VIENNA 1 (VIE-80002)**Product description**

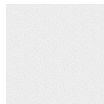
600x600 mm

**Luminaire Structure**

- Formed sheet steel body with powder coating
- White painted metal sheet
- UV & flame resistant, chemical & salt stable PVC
- Stainless steel fasteners in grade 304 with zinc flake coating (ZFC)
- PMMA diffuser with Opal (UGR <19) and micro prismatic (UGR <13) options for better glare control
- Integral control gear
- Recessed and surface mounted options
- Accessories: Aluminium frame for surface installation & Aluminium frame for recessed installation of fitting into gypsum plasterboard

Optic

O P

Product colour

03 - White (RAL 9003)

VIENNA 1 (VIE-80002)

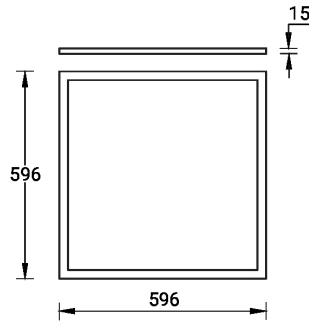
Technical information

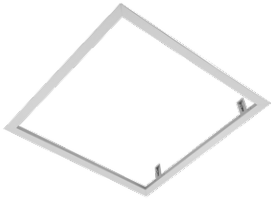
Material	Aluminium
Light source	2 x 91 LED
Power	35 W
Lumen	4300 - 4400 lm
Efficacy	123 - 126 lm/W
Driver option	Integral control gear

Driver	Constant current (CC)
Input voltage	220-240 V 50/60 Hz
Optic	O, P
Optic value	Opal, Micro-prismatic
CCT / CRI	3000K CRI90, 4000K CRI90
Dimming type	On/Off, DALI

Product colours	White
Weight	5.0 kg
Operating temperature	-20 °C to 40 °C
Variants (DALI)	Compatible with EN/ IEC 60598-2-22: Suitable for emergency installations as central supply, non-maintained (Z0)

VIE-80002



VIENNA 1 (VIE-80002)**Accessory**

Frame for recessed installation
of fittings into gypsum
plasterboard ceiling SQUARE
(White)
A83081



Frame for surface installation
SQUARE (White)
A83281



Wireless bluetooth converter
A90291



Xpress wireless switch
A90591



DALI Control System
Control-DALI