

HAMILTON 1 (HAM-20002-LC)



Product description

LIGHTCONNECT™



Luminaire Structure

- Die-cast aluminium housing
- Pre-treated before powder coating ensuring high corrosion resistance
- Single cable entry
- One IP68 connector supplied with 0.5 m of 3x1.0 sqmm outdoor cable
- Stainless steel fasteners in grade 304 with zinc flake coating (ZFC)
- Durable silicone rubber gasket
- Clear toughened glass
- High-efficiency polycarbonate lens
- Integral control gear
- Surge protection 10kV

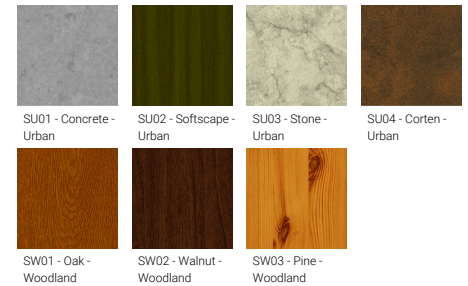
Optic



Product colour



Special finishes upon request



HAMILTON 1 (HAM-20002-LC)

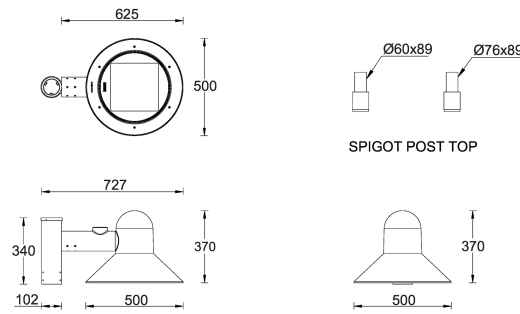
Technical information

Material	Aluminium
Light source	48 LED
Power	75 W
Lumen	8395 - 9862 lm
Efficacy	115 - 135 lm/W
Driver option	Integral control gear
Driver	Constant current (CC)
Input voltage	220-240 V 50/60 Hz
Optic	M, W, EW, T2, T3, T4, ME
Optic value	30°, 57°, 110°, 142°x42°, 150°x71°, 122°x79°, 148°x63°

CCT / CRI	3000K CRI80, 4000K CRI80
Bug	B2-U0-G1, B2-U0-G2, B3-U0-G0, B4-U0-G0
ULR	<1%
ULOR	0%, <1%
CIE flux code n°3	96, 97, 98, 99
Dimming type	DALI
Product colours	Black, Dark Grey, White, Matt Silver, Bronze, Concrete - Urban, Softscape - Urban, Stone - Urban, Corten - Urban, Oak - Woodland, Walnut - Woodland, Pine - Woodland
Weight	15.9 kg
Operating temperature	-20 °C to 40 °C
EPA (m2)	0.164

Cable	One IP68 connector supplied with 0.5 m of 3x1.0 sqmm outdoor cable
Through wiring	Single cable entry
Lens / Reflector / Optic	Clear toughened glass, High-efficiency polycarbonate lens
MacAdam Ellipse	3 SDCM
Lifetime L90B10 (hours)	> 90,000
Lifetime L80B10 (hours)	> 90,000
Lifetime L80B50 (hours)	> 90,000
Variants (DALI)	Compatible with EN/ IEC 60598-2-22: Suitable for emergency installations as central supply, non-maintained (Z0)

HAMILTON 1
HAM-20002



HAMILTON 1 (HAM-20002-LC)**Accessory**

Zhaga Book 18 socket (Down)
A90991-D



Zhaga Book 18 socket (Up)
A90991-U



NEMA 7 socket
A90891



DALI Control System
Control-DALI