

PRAGUE 2 (PRA-10012-SB)



Product description

200x80 mm - 1000 mm - With integrated security core (Anti-traffic)



microPrim™



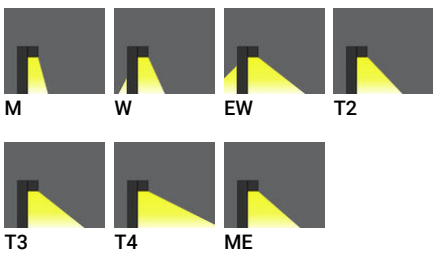
DARKSKY APPROVED
Reduces light pollution
Certified by DarkSky.org

SECURITY BOLLARDS

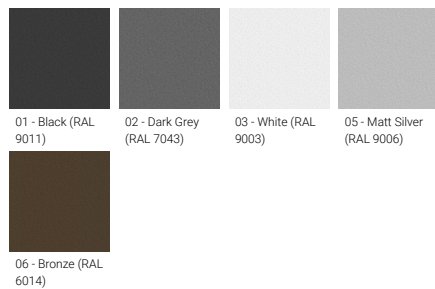
Luminaire Structure

- Die-cast aluminium housing and frame
- Extruded aluminium column
- Pre-treated before powder coating ensuring high corrosion resistance
- Single cable entry
- One IP68 connector supplied with 0.2 m of 3x1.0 sqmm outdoor cable
- Stainless steel fasteners in grade 304 with zinc flake coating (ZFC)
- Durable silicone rubber gasket
- Clear toughened glass
- High-efficiency PMMA lens
- Integral control gear

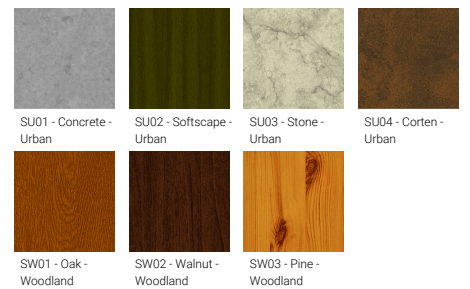
Optic



Product colour



Special finishes upon request



PRAGUE 2 (PRA-10012-SB)

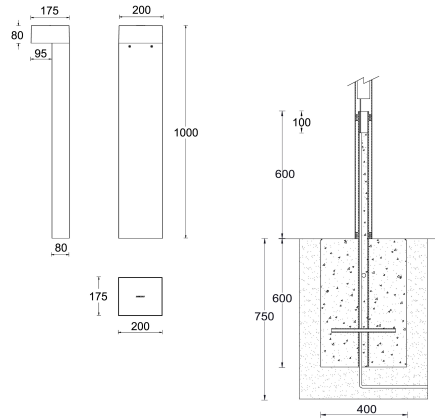
Technical information

Light source	8 LED
Power	13.9 W
Lumen	1317 - 1594 lm
Efficacy	94 - 114 lm/W
Driver option	Integral control gear
Driver	Constant current (CC)
Input voltage	220-240 V 50/60 Hz
Optic	M, W, EW, T2, T3, T4, ME 30°x21°, 53°x31°, 114°x63°, 140°x31°, 143°x53°, 129°x45°, 144°x37°

CCT / CRI	2700K CRI80, 3000K CRI80, 4000K CRI80
Bug	B0-U2-G0, B0-U2-G1, B0-U3-G1, B1-U3-G1
ULR	1%, 2%, 3%, 7%, 8%, 9%
ULOR	1%, 2%, 3%, 7%, 8%, 9%
CIE flux code n°3	95, 96, 97, 98
Dimming type	On/Off, 1-10V, DALI
Product colours	Black, Dark Grey, White, Matt Silver, Bronze, Concrete - Urban, Softscape - Urban, Stone - Urban, Corten - Urban, Oak - Woodland, Walnut - Woodland, Pine - Woodland
Weight	35.8 kg
Operating temperature	-20 °C to 40 °C

Cable	One IP68 connector supplied with 0.2 m of 3x1.0 sqmm outdoor cable
Through wiring	Single cable entry
Lens / Reflector / Optic	Clear toughened glass, High- efficiency PMMA lens
MacAdam Ellipse	3 SDCM
Lifetime L90B10 (hours)	> 90,000
Lifetime L80B10 (hours)	> 90,000
Lifetime L80B50 (hours)	> 90,000
Variants (On/Off, 1-10V, DALI)	Compatible with EN/ IEC 60598-2-22: Suitable for emergency installations as central supply, non- maintained (Z0)

PRA-10012-SB



PRAGUE 2 (PRA-10012-SB)

Accessory



DALI Control System
Control-DALI
