

LIGHTSOFT 2 (LH-10685-SB)



Product description

186x186 mm - 1000 mm - Square - IK08 - With integrated security core (Anti-traffic)



Luminaire Structure

- Die-cast aluminium housing
- Extruded aluminium column
- Pre-treated before powder coating ensuring high corrosion resistance
- Single cable entry

- One IP68 connector supplied with 0.2 m of 3x1.0 sqmm outdoor cable
- Stainless steel fasteners in grade 304 with zinc flake coating (ZFC)
- Durable silicone rubber gasket
- Clear UV-stabilised polycarbonate diffuser

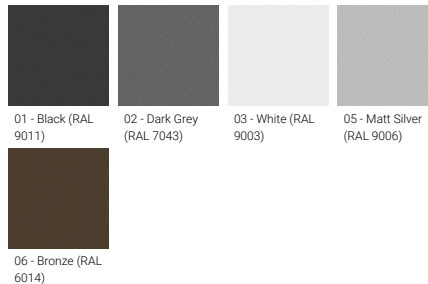
- Anodised, high-purity aluminium reflector
- Integral control gear

Optic

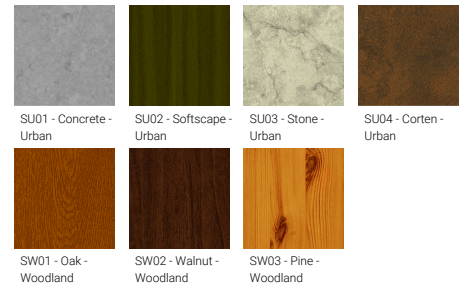


G

Product colour



Special finishes upon request



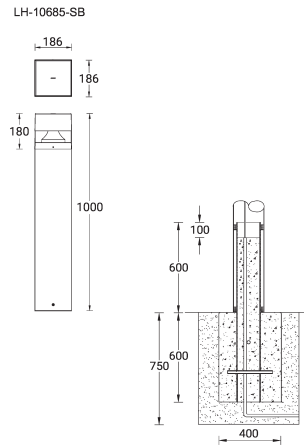
LIGHTSOFT 2 (LH-10685-SB)

Technical information

Light source	12 LED
Power	27 W
Lumen	979 - 1050 lm
Efficacy	36 - 39 lm/W
Driver option	Integral control gear
Driver	Constant current (CC)
Input voltage	220-240 V 50/60 Hz
Optic	G

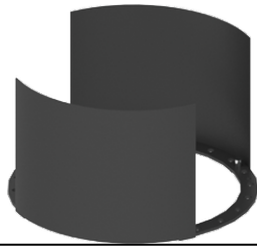
Optic value	131°
CCT / CRI	2700K CRI80, 3000K CRI80, 4000K CRI80
Bug	B1-U3-G1
ULR	<1%
ULOR	0, <1%
CIE flux code n°3	72
Dimming type	On/Off, 1-10V, DALI
Product colours	Black, Dark Grey, White, Matt Silver, Bronze, Concrete - Urban, Softscape - Urban, Stone - Urban, Corten - Urban, Oak - Woodland, Walnut - Woodland, Pine - Woodland

Weight	35.4 kg
Operating temperature	-20 °C to 40 °C
Cable	One IP68 connector supplied with 0.2 m of 3x1.0 sqmm outdoor cable
Through wiring	Single cable entry
Lens / Reflector / Optic	Clear UV-stabilised polycarbonate diffuser, Anodised, high-purity aluminium reflector
Variants (1-10V)	Compatible with EN/ IEC 60598-2-22: Suitable for emergency installations as central supply, non-maintained (Z0)



LIGHTSOFT 2 (LH-10685-SB)**Accessory**

Light shield 180°
A10731



Light shield 90°
A10831



Power connection box (IP65)
modification upon request
POWER-BOX-IP65



DALI Control System
Control-DALI

Please contact the factory for technical details if you wish to use Anti-glare accessories, Colour filters, Lenses and slip glasses in combination.