

**ODESSA 2 (OD-50011) (Version 2)**



**Product description**

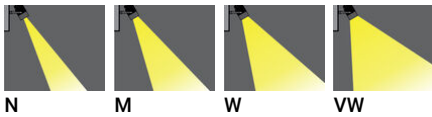
Medium

microPrim™

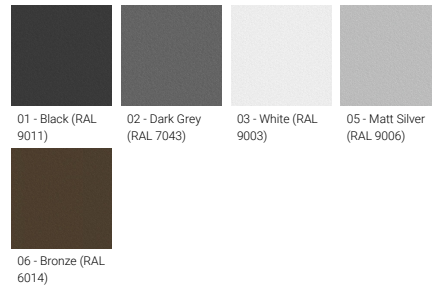
**Luminaire Structure**

- Die-cast aluminium housing
- Pre-treated before powder coating ensuring high corrosion resistance
- Single cable entry
- One IP68 connector supplied with 0.2 m of 3x1.0 sqmm outdoor cable
- Stainless steel fasteners in grade 304 with zinc flake coating (ZFC)
- Durable silicone rubber gasket
- High-efficiency optical reflector
- Clear toughened glass
- Integral control gear
- Arm mounting installation

**Optic**



**Product colour**



**Special finishes upon request**



**ODESSA 2 (OD-50011) (Version 2)**

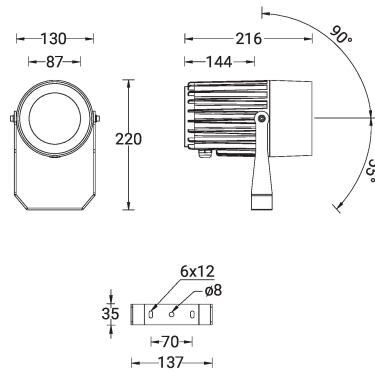
**Technical information**

<b>Material</b>	Aluminium
<b>Light source</b>	1 COB
<b>Power</b>	35 W
<b>Lumen</b>	2843 - 3545 lm
<b>Efficacy</b>	81 - 101 lm/W
<b>Driver option</b>	Integral control gear
<b>Driver</b>	Constant current (CC)
<b>Input voltage</b>	220-240 V 50/60 Hz

<b>Optic</b>	N, M, W, VW
<b>Optic value</b>	15°, 24°, 47°, 66°
<b>CCT / CRI</b>	2700K CRI80, 3000K CRI80, 4000K CRI80
<b>Bug</b>	B2-U0-G0, B3-U0-G0
<b>ULR</b>	<1%
<b>ULOR</b>	<1%
<b>CIE flux code n°3</b>	100, 99
<b>Dimming type</b>	On/Off, DALI

<b>Product colours</b>	Black, Dark Grey, White, Matt Silver, Bronze, Concrete - Urban, Softscape - Urban, Stone - Urban, Corten - Urban, Oak - Woodland, Walnut - Woodland, Pine - Woodland
<b>Weight</b>	2.3 kg
<b>Operating temperature</b>	-20 °C to 50 °C
<b>EPA (m2)</b>	0.048
<b>Cable</b>	One IP68 connector supplied with 0.2 m of 3x1.0 sqmm outdoor cable
<b>Through wiring</b>	Single cable entry
<b>Lens / Reflector / Optic</b>	High-efficiency optical reflector, Clear toughened glass
<b>Variants (DALI)</b>	Compatible with EN/ IEC 60598-2-22: Suitable for emergency installations as central supply, non-maintained (Z0)

OD-50011



**ODESSA 2 (OD-50011) (Version 2)****Accessory**

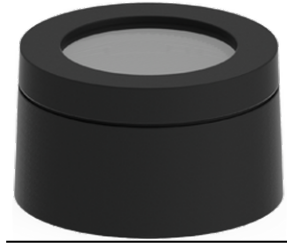
Anti-glare louvre  
**A80231**



Anti-glare visor  
**A80131**



Ground spike  
**A50441**



Linear spread lens  
**A80114**



DALI Control System  
**Control-DALI**



Pole clamp for ODESSA 1, 2  
**A22581**

Please contact the factory for technical details if you wish to use Anti-glare accessories, Colour filters, Lenses and slip glasses in combination.