

SANDY 3 (SA-31491-1MS)



Product description

Small - With integrated motion sensor



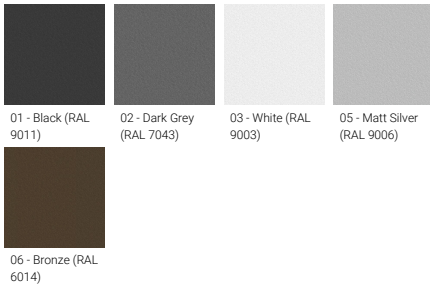
microPrim™



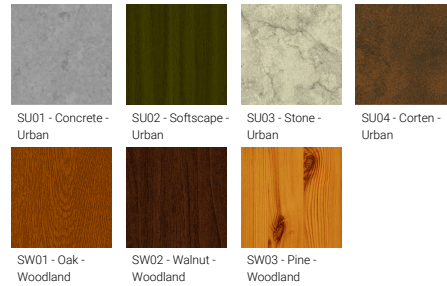
Luminaire Structure

- Die-cast aluminium housing and frame
- Pre-treated before powder coating ensuring high corrosion resistance
- Two cable entries for through wiring
- Stainless steel fasteners in grade 304 with zinc flake coating (ZFC)
- Durable silicone rubber gasket
- Opal UV-stabilised polycarbonate diffuser
- Integral control gear
- Optional surface mounting box for easy wiring or conduit connection when wiring from behind is not possible

Product colour



Special finishes upon request



SANDY 3 (SA-31491-1MS)

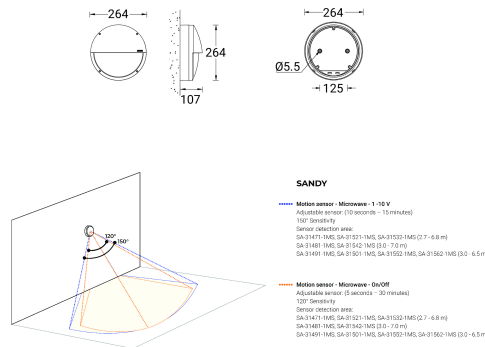
Technical information

Material	Aluminium
Light source	80 LED
Power	19 W
Lumen	901 - 949 lm
Efficacy	47 - 50 lm/W
Driver option	Integral control gear
Driver	Constant current (CC)
Input voltage	220-240 V 50/60 Hz
Optic	G

Optic value	114°x107°
CCT / CRI	3000K CRI80, 4000K CRI80
Bug	B0-U3-G2
ULR	36
ULOR	36
CIE flux code n°3	73
Dimming type	On/Off, 1-10V
Product colours	Black, Dark Grey, White, Matt Silver, Bronze, Concrete - Urban, Softscape - Urban, Stone - Urban, Corten - Urban, Oak - Woodland, Walnut - Woodland, Pine - Woodland
Weight	2.3 kg

Through wiring	Two cable entries for through wiring
Lens / Reflector / Optic	Opal UV-stabilised polycarbonate diffuser
MacAdam Ellipse	3 SDCM
Lifetime L90B10 (hours)	> 37,000
Lifetime L80B10 (hours)	> 78,000
Lifetime L80B50 (hours)	> 86,000
Variants (On/Off, 1-10V)	Compatible with EN/ IEC 60598-2-22: Suitable for emergency installations as central supply, non-maintained (ZO)

SA-31491-1MS



SANDY 3 (SA-31491-1MS)**Accessory**



Surface mounting box for easy
cabling (SANDY 3)
SCE-SANDY-3



DALI Control System
Control-DALI



Remote controller for the motion
sensor - 1-10V (A34191)
A34391
