

EURASIA 1 (EU-10016-1)



Product description

Ø114 - 941 mm - Dome top with shade



microPrim™

Luminaire Structure

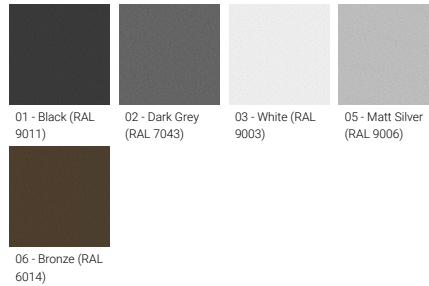
- Die-cast aluminium housing
- Extruded aluminium column
- Pre-treated before powder coating ensuring high corrosion resistance
- Single cable entry
- Stainless steel fasteners in grade 304 with zinc flake coating (ZFC)
- Durable silicone rubber gasket
- Sandblast finishing aluminium reflector
- Clear UV-stabilised polycarbonate diffuser
- Integral control gear

Optic

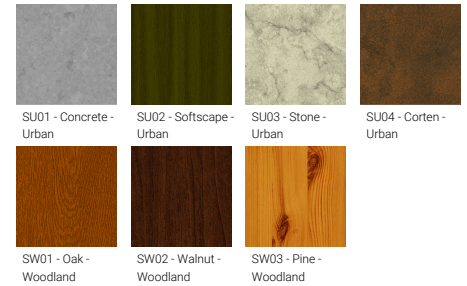


G

Product colour



Special finishes upon request



EURASIA 1 (EU-10016-1)

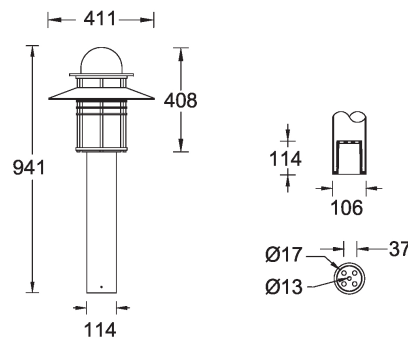
Technical information

| | |
|----------------------|-----------------------|
| Material | Aluminium |
| Light source | 1 COB |
| Power | 41 W |
| Lumen | 979 - 991 lm |
| Efficacy | 24 lm/W |
| Driver option | Integral control gear |
| Driver | Constant current (CC) |
| Input voltage | 220-240 V 50/60 Hz |

| | |
|--------------------------|--------------------------|
| Optic | G |
| Optic value | 360° |
| CCT / CRI | 3000K CRI80, 4000K CRI80 |
| Bug | B1-U3-G1 |
| ULR | 20% |
| ULOR | 20% |
| CIE flux code n°3 | 78 |
| Dimming type | On/Off, 1-10V, DALI |

| | |
|---------------------------------|--|
| Product colours | Black, Dark Grey, White, Matt Silver, Bronze, Concrete - Urban, Softscape - Urban, Stone - Urban, Corten - Urban, Oak - Woodland, Walnut - Woodland, Pine - Woodland |
| Weight | 11.0 kg |
| Operating temperature | -20 °C to 40 °C |
| Through wiring | Single cable entry |
| Lens / Reflector / Optic | Sandblast finishing aluminium reflector, Clear UV-stabilised polycarbonate diffuser |
| MacAdam Ellipse | 3 SDCM |
| Lifetime L90B10 (hours) | > 55,000 |
| Variants (1-10V, DALI) | Compatible with EN/ IEC 60598-2-22: Suitable for emergency installations as central supply, non-maintained (Z0) |

EU-10016-1



EURASIA 1 (EU-10016-1)**Accessory**



Anchor bolt
A10191



DALI Control System
Control-DALI