

FORREY 22 (FOR-30032)



Product description

Ø250 - 707 mm - With louver & opal diffuser



microPrim™

Luminaire Structure

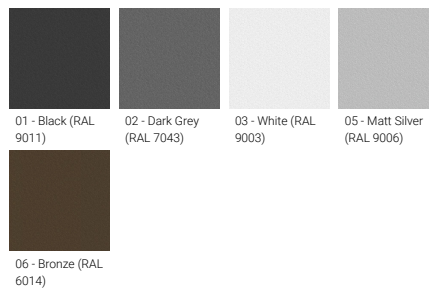
- Die-cast aluminium housing and frame
- Pre-treated before powder coating ensuring high corrosion resistance
- Models with shade will have colour white coating at inside of shade luminaire and outside surface coating according to colour of luminaire
- Two cable entries for through wiring
- Stainless steel fasteners in grade 304 with zinc flake coating (ZFC)
- Durable silicone rubber gasket
- Opal UV-stabilised polycarbonate diffuser
- Integral control gear
- FORREY luminaires with opal lens and colder than 3000K CCT do not meet the IDA certification requirements

Optic

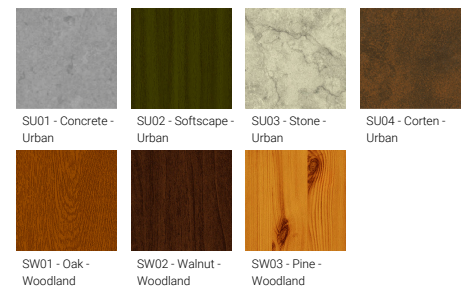


G

Product colour



Special finishes upon request



FORREY 22 (FOR-30032)

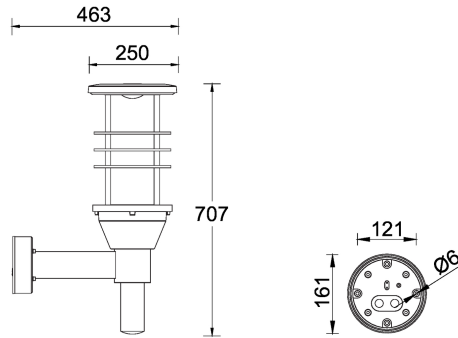
Technical information

Material	Aluminium
Light source	160 LED
Power	50 W
Lumen	3279 - 3526 lm
Efficacy	65 - 70 lm/W
Driver option	Integral control gear
Driver	Constant current (CC)
Input voltage	220-240 V 50/60 Hz
Optic	G

Optic value	360°
CCT / CRI	3000K CRI80, 4000K CRI80
Bug	B1-U5-G3
ULR	48%
ULOR	48%
CIE flux code n°3	61
Dimming type	On/Off, 1-10V, DALI
Product colours	Black, Dark Grey, White, Matt Silver, Bronze, Concrete - Urban, Softscape - Urban, Stone - Urban, Corten - Urban, Oak - Woodland, Walnut - Woodland, Pine - Woodland
Weight	9.3 kg

Operating temperature	-20 °C to 40 °C
Through wiring	Two cable entries for through wiring
Lens / Reflector / Optic	Opal UV-stabilised polycarbonate diffuser
MacAdam Ellipse	3 SDCM
Lifetime L90B10 (hours)	> 23,000
Lifetime L80B10 (hours)	> 45,000
Lifetime L80B50 (hours)	> 49,000
Variants (DALI)	Compatible with EN/ IEC 60598-2-22: Suitable for emergency installations as central supply, non-maintained (Z0)

FOR-30032



FORREY 22 (FOR-30032)

Accessory



DALI Control System
Control-DALI
