

JET 34 (JE-30411)



Product description

160x160 mm - 263 mm - Down - Square



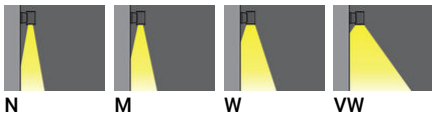
Luminaire Structure

- Die-cast aluminium housing
- Pre-treated before powder coating ensuring high corrosion resistance
- Single cable entry
- Stainless steel fasteners in grade 304 with zinc flake coating (ZFC)

- Durable silicone rubber gasket
- High-efficiency optical reflector
- Clear toughened glass
- Integral control gear

- Optional surface mounting box for easy wiring or conduit connection when wiring from behind is not possible
- JET luminaires with uplight and colder than 3000K CCT do not meet the IDA certification requirements

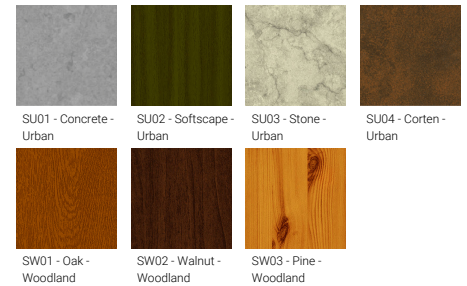
Optic



Product colour



Special finishes upon request



JET 34 (JE-30411)

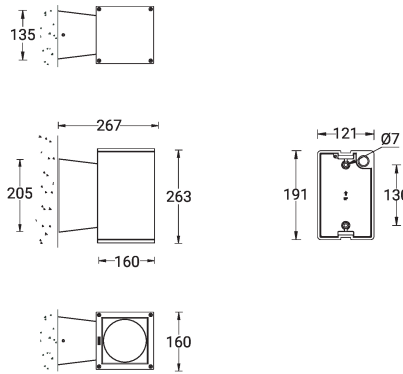
Technical information

Material	Aluminium
Light source	1 COB
Power	35 W
Lumen	3336 - 4094 lm
Efficacy	95 - 117 lm/W
Driver option	Integral control gear
Driver	Constant current (CC)
Input voltage	220-240 V 50/60 Hz
Optic	N, M, W, VW

Optic value	16°, 26°, 42°, 59°
CCT / CRI	2700K CRI80, 3000K CRI80, 4000K CRI80
Bug	B2-U0-G0, B3-U0-G0
ULR	<1%
ULOR	<1%
CIE flux code n°3	100
Dimming type	On/Off, 1-10V, DALI
Product colours	Black, Dark Grey, White, Matt Silver, Bronze, Concrete - Urban, Softscape - Urban, Stone - Urban, Corten - Urban, Oak - Woodland, Walnut - Woodland, Pine - Woodland
Weight	5.1 kg

Operating temperature	-20 °C to 50 °C
Through wiring	Single cable entry
Lens / Reflector / Optic	High-efficiency optical reflector, Clear toughened glass
MacAdam Ellipse	3 SDCM
Lifetime L90B10 (hours)	> 50,700
Lifetime L80B10 (hours)	> 63,500
Lifetime L80B50 (hours)	> 63,500
Variants (1-10V, DALI)	Compatible with EN/ IEC 60598-2-22: Suitable for emergency installations as central supply, non-maintained (Z0)

JE-30411



JET 34 (JE-30411)

Accessory



Surface mounting box for easy
cabling (JET 34)
SCE-JET-34



DALI Control System
Control-DALI
