

NATURE SOURCE 1 (NAT-20002)



Product description

17 hours of operation time (2 Step dimming with motion sensor override) – 1 days of autonomy



microPrim™

SOLAR POWERED

MOTION SENSOR

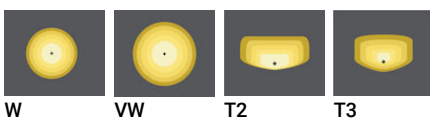
Luminaire Structure

- Die-cast aluminium end-caps
- Extruded aluminium housing and frame
- Pre-treated before powder coating ensuring high corrosion resistance
- Thermal heat dissipation body
- Stainless steel fasteners in grade 304 with zinc flake coating (ZFC)
- Durable silicone rubber gasket
- Clear glass diffuser
- Integral control gear

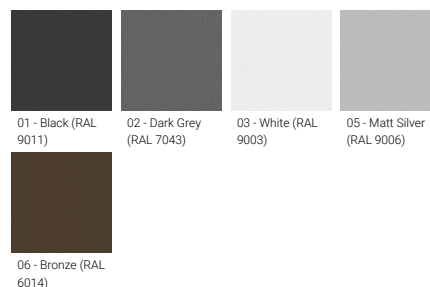
- Solar module consist of monocrystalline high efficiency cells 5x15W
- Lithium Iron Phosphate (LiFePO4) battery 2x18Ah 12 VDC
- Solar charger controller system 12V 10A
- Luminaires operation time depends on the weather conditions
- Full automatic electronic protection function against short circuit, overcurrent, overload, overvoltage and high temperature
- Standard: Off-grid, 100% solar, not connected to the utility grid. Utility grid connection is available upon request
- Without any sun (Autonomy), the battery would last for a maximum of 2 days
- * Motion sensor integrated

- Different dimming options are available
- STD: 2 Step dimming with motion sensor override (3 hours: 60% without movement, 100% for 1 minute when the motion sensor activated. After 3 hours: 30% without movement, 60% for 1 minute when the motion sensor activated)
- ND: Dusk to Dawn, CT: Custom examples are 5 Step dimming, Custom hours, Custom dimming levels (Step length and minimum dim level is 10%)
- Maximum 35 hours of operation time (2 Step dimming with motion sensor override)
- Remote solar charge controller can be ordered as an accessory
- Autonomy and Operation time calculations are done with the following information: Peak Sun-Hour (PSH) is 3 hours. Hours of operation are 12 hours per day. Detection of movement is 10 times per hour.
- Autonomy and Operation time calculations are only indicative and will depend on several variable factors. Please contact the factory to determine the specific calculations for your project.

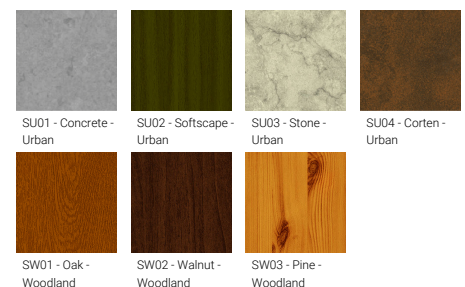
Optic



Product colour



Special finishes upon request



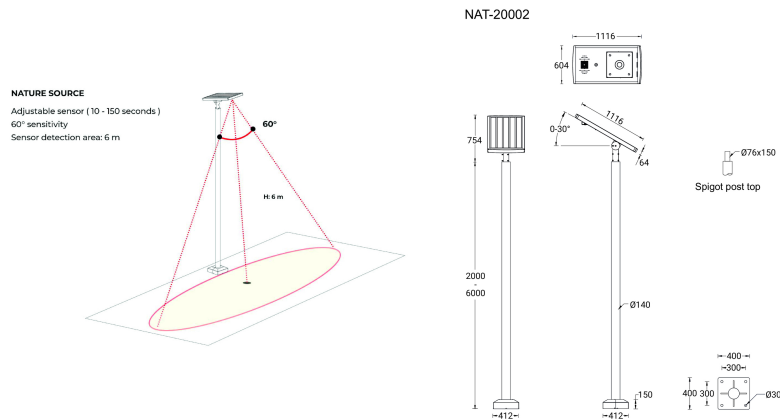
NATURE SOURCE 1 (NAT-20002)

Technical information

Material	Aluminium
Light source	28 LED
Power	20 W
Lumen	2528 - 2706 lm
Efficacy	126 - 135 lm/W
Driver option	Integral control gear
Driver	Constant voltage (CV)
Input voltage	SOLAR
Optic	W, VW, T2, T3

Optic value	86°, 114°, 28°x148°, 37°x151°
CCT / CRI	3000K CRI80, 4000K CRI80
Bug	B1-U0-G1, B2-U0-G1
ULR	<1%
ULOR	<1%
CIE flux code n°3	94, 96, 97, 98
Dimming type	Dusk to Dawn, 2 Step dimming with motion sensor override, Solar Custom
Product colours	Black, Dark Grey, White, Matt Silver, Bronze, Concrete - Urban, Softscape - Urban, Stone - Urban, Corten - Urban, Oak - Woodland, Walnut - Woodland, Pine - Woodland
Weight	25.5 kg

Operating temperature	-20 °C to 40 °C
EPA (m2)	0.110
Lens / Reflector / Optic	Clear glass diffuser
MacAdam Ellipse	3 SDCM
Lifetime L90B10 (hours)	> 90,000
Lifetime L80B10 (hours)	> 90,000
Lifetime L80B50 (hours)	> 90,000



NATURE SOURCE 1 (NAT-20002)**Accessory**

Remote solar charge controller
for Solar Integrated Post Top
luminaire
A92291



2 m - Cylindrical, straight
galvanised steel pole for
NATURE SOURCE
SPD120140-NAT



3 m - Cylindrical, straight
galvanised steel pole for
NATURE SOURCE
SPD130140-NAT



4 m - Cylindrical, straight
galvanised steel pole for
NATURE SOURCE
SPD140140-NAT



5 m - Cylindrical, straight
galvanised steel pole for
NATURE SOURCE
SPD150140-NAT



6 m - Cylindrical, straight
galvanised steel pole for
NATURE SOURCE
SPD160140-NAT



Auto dimming feature
auto-dim