

**ODESSA 18 (OD-80034)**



**Product description**

Large - RGBW



microPrim™

**Luminaire Structure**

- Die-cast aluminium housing
- Pre-treated before powder coating ensuring high corrosion resistance
- Single cable entry, through wiring upon request

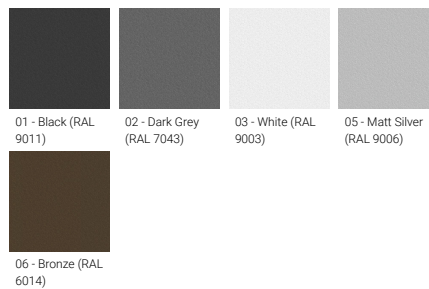
- Three IP68 connectors supplied with 0.2 m of 3x1.0 sqmm outdoor cable and 2x0.2 m of 2x0.5 sqmm outdoor shielded cable
- Stainless steel fasteners in grade 304 with zinc flake coating (ZFC)
- Durable silicone rubber gasket

- Clear toughened glass
- Integral control gear

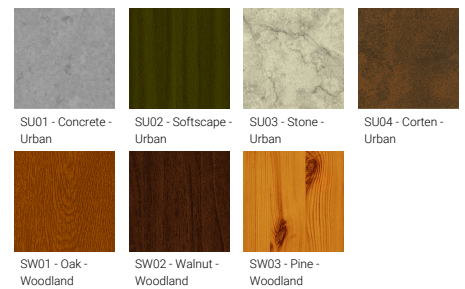
**Optic**



**Product colour**



**Special finishes upon request**



**ODESSA 18 (OD-80034)**

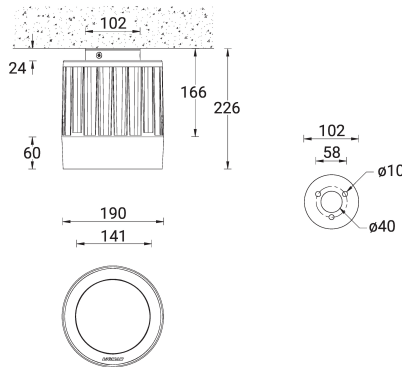
**Technical information**

<b>Material</b>	Aluminium
<b>Light source</b>	7 LED
<b>Power</b>	45 W
<b>Lumen</b>	1370 - 1669 lm
<b>Efficacy</b>	30 - 37 lm/W
<b>Driver option</b>	Integral control gear
<b>Driver</b>	Constant current (CC)
<b>Input voltage</b>	220-240 V 50/60 Hz

<b>Optic</b>	N, M, E
<b>Optic value</b>	20°, 34°, 24° x 49°
<b>CCT / CRI</b>	RGBW30, RGBW40, RGBW65
<b>Dimming type</b>	DMX, DMX/RDM
<b>Product colours</b>	Black, Dark Grey, White, Matt Silver, Bronze, Concrete - Urban, Softscape - Urban, Stone - Urban, Corten - Urban, Oak - Woodland, Walnut - Woodland, Pine - Woodland
<b>Weight</b>	6.4 kg
<b>Operating temperature</b>	-20 °C to 40 °C
<b>Cable</b>	Three IP68 connectors supplied with 0.2 m of 3x1.0 sqmm outdoor cable and 2x0.2 m of 2x0.5 sqmm outdoor shielded cable

<b>Through wiring</b>	Single cable entry, through wiring upon request
<b>Lens / Reflector / Optic</b>	Clear toughened glass
<b>MacAdam Ellipse</b>	7 SDCM
<b>Lifetime L90B10 (hours)</b>	> 15,000
<b>Lifetime L80B10 (hours)</b>	> 31,000
<b>Lifetime L80B50 (hours)</b>	> 34,000
<b>Variants (DMX, DMX/RDM)</b>	Compatible with EN/ IEC 60598-2-22: Suitable for emergency installations as central supply, non-maintained (Z0)

OD-80034



**ODESSA 18 (OD-80034)****Accessory**

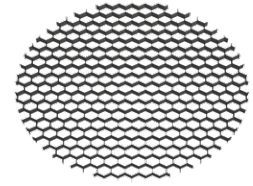
Anti glare visor  
**A54431**



Anti glare louvre  
**A54631**



Linear spread lens  
**A51814**



Honeycomb louvre  
**A54121**



Remote box IP65  
**A80191**



DMX Control System  
**Control-DMX**



DMX/RDM Control System  
**Control-DMX-RDM**

Please contact the factory for technical details if you wish to use Anti-glare accessories, Colour filters, Lenses and slip glasses in combination.