

**AURORA (AUR-30012) (Version 2)**



**Product description**

Without remote driver - Constant voltage (CV) 24 V - RGBW - 360° light beam



microPrim™

**Luminaire Structure**

- Die-cast aluminium housing
- Pre-treated before powder coating ensuring high corrosion resistance
- Single cable entry
- Stainless steel fasteners in grade 304 with zinc flake coating (ZFC)

- Durable silicone rubber gasket
- High-efficiency PMMA lens
- Remote driver (not included)
- 360° light blade effect

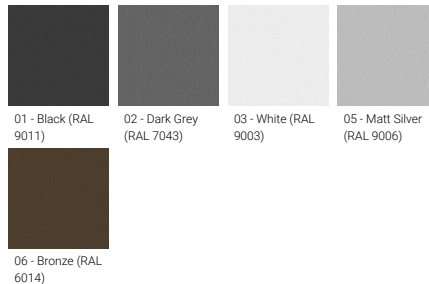
- For AUR-30011 not included 24 VDC input, DMXRDM address with stable signal

**Optic**

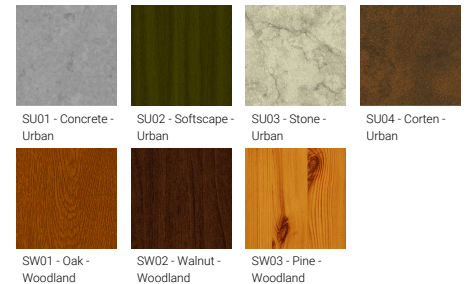


G

**Product colour**



**Special finishes upon request**



**AURORA** (AUR-30012) (Version 2)

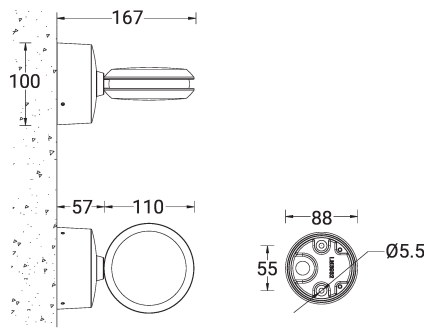
**Technical information**

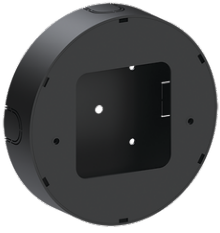
<b>Material</b>	Aluminium
<b>Light source</b>	12 LED
<b>Power</b>	12 W
<b>Lumen</b>	102 - 105 lm
<b>Efficacy</b>	9 lm/W
<b>Driver option</b>	Remote driver (not included)
<b>Driver</b>	Constant voltage (CV)

<b>Input voltage</b>	24 VDC
<b>Optic</b>	G
<b>Optic value</b>	3°x180°
<b>CCT / CRI</b>	RGBW30, RGBW40
<b>Bug</b>	B0-U2-G0
<b>ULR</b>	32%
<b>ULOR</b>	32%

<b>CIE flux code n°3</b>	83
<b>Dimming type</b>	DMX, DMX/RDM
<b>Product colours</b>	Black, Dark Grey, White, Matt Silver, Bronze, Concrete - Urban, Softscape - Urban, Stone - Urban, Corten - Urban, Oak - Woodland, Walnut - Woodland, Pine - Woodland
<b>Weight</b>	0.7 kg
<b>Operating temperature</b>	-20 °C to 50 °C
<b>Through wiring</b>	Single cable entry
<b>Lens / Reflector / Optic</b>	High-efficiency PMMA lens

AUR-30012



**AURORA (AUR-30012) (Version 2)****Accessory**

Surface mounting box for easy cabling (AURORA)  
**SCE-AURORA**



DMX Control System  
**Control-DMX**



DMX/RDM Control System  
**Control-DMX-RDM**



Driver (CV) - On/Off - 36 W - IP67  
- 24 V  
**A34491-ND**



Driver (CV) - On/Off - 60 W - IP67  
- 24 V  
**A34591-ND**



Driver (CV) - On/Off - 100 W -  
IP67 - 24 V  
**A34791-ND**



Driver (CV) - On/Off - 150 W -  
IP67 - 24 V  
**A34891-ND**



Driver (CV) - On/Off - 200 W -  
IP67 - 24 V  
**A34991-ND**



Driver (CV) - On/Off - 350 W -  
IP67 - 24 V  
**A35091-ND**