

COLUMBUS 2 (CO-10127-1-SB)



Product description

Ø216 - 1029 mm - Dome top - With integrated security core (Anti-traffic)



Luminaire Structure

- Die-cast aluminium housing
- Extruded aluminium column
- Pre-treated before powder coating ensuring high corrosion resistance
- Single cable entry
- One IP68 connector supplied with 0.2 m of 3x1.0 sqmm outdoor cable
- Stainless steel fasteners in grade 304 with zinc flake coating (ZFC)
- Durable silicone rubber gasket
- Anodised, high-purity aluminium reflector
- Clear UV-stabilised polycarbonate diffuser
- Integral control gear

Optic



G

Product colour



Special finishes upon request



COLUMBUS 2 (CO-10127-1-SB)

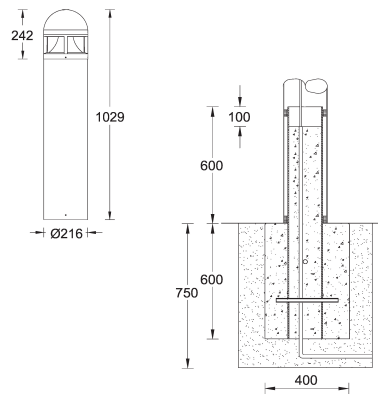
Technical information

Light source	1 COB
Power	41 W
Lumen	983 - 995 lm
Efficacy	25 - 26 lm/W
Driver option	Integral control gear
Driver	Constant current (CC)
Input voltage	220-240 V 50/60 Hz
Optic	G

Optic value	115°x 129°
CCT / CRI	3000K CRI80, 4000K CRI80
Bug	B1-U3-G1
ULR	21%
ULOR	21%
CIE flux code n°3	88
Dimming type	On/Off, 1-10V, DALI
Product colours	Black, Dark Grey, White, Matt Silver, Bronze, Concrete - Urban, Softscape - Urban, Stone - Urban, Corten - Urban, Oak - Woodland, Walnut - Woodland, Pine - Woodland

Weight	42.2 kg
Operating temperature	-20 °C to 40 °C
Cable	One IP68 connector supplied with 0.2 m of 3x1.0 sqmm outdoor cable
Through wiring	Single cable entry
Lens / Reflector / Optic	Anodised, high-purity aluminium reflector, Clear UV-stabilised polycarbonate diffuser
Variants (1-10V, DALI)	Compatible with EN/ IEC 60598-2-22: Suitable for emergency installations as central supply, non-maintained (Z0)

CO-10127-1-SB



COLUMBUS 2 (CO-10127-1-SB)**Accessory**



Power connection box (IP65)
modification upon request
POWER-BOX-IP65



DALI Control System
Control-DALI
