

FORREY 6 (FOR-10052)



Product description

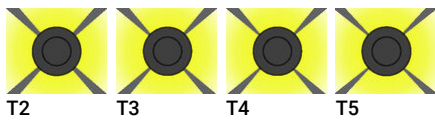
Ø160 - 1129 mm - With louver



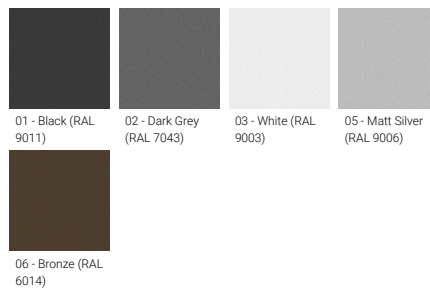
Luminaire Structure

- Die-cast aluminium housing and frame
- Extruded aluminium column
- Pre-treated before powder coating ensuring high corrosion resistance
- Models with shade will have colour white coating at inside of shade luminaire and outside surface coating according to colour of luminaire
- Single cable entry
- One IP68 connector supplied with 0.2 m of 3x1.0 sqmm outdoor cable
- Stainless steel fasteners in grade 304 with zinc flake coating (ZFC)
- Durable silicone rubber gasket
- High-efficiency PMMA lens
- Integral control gear
- FORREY luminaires with opal lens and colder than 3000K CCT do not meet the IDA certification requirements

Optic



Product colour



Special finishes upon request



FORREY 6 (FOR-10052)

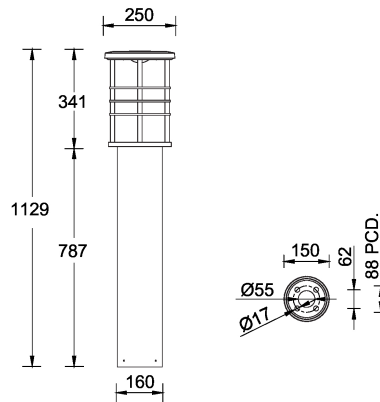
Technical information

| | |
|----------------------|-----------------------|
| Material | Aluminium |
| Light source | 1 COB |
| Power | 45 W |
| Lumen | 4970 - 5431 lm |
| Efficacy | 110 - 121 lm/W |
| Driver option | Integral control gear |
| Driver | Constant current (CC) |
| Input voltage | 220-240 V 50/60 Hz |
| Optic | T2, T3, T4, T5 |

| | |
|--------------------------|--|
| Optic value | 138°x99°, 137°x107°, 131°x104°, 142°x124° |
| CCT / CRI | 3000K CRI80, 4000K CRI80 |
| Bug | B1-U0-G0 |
| ULR | <1% |
| ULOR | <1% |
| CIE flux code n°3 | 100, 99 |
| Dimming type | On/Off, 1-10V, DALI |
| Product colours | Black, Dark Grey, White, Matt Silver, Bronze, Concrete - Urban, Softscape - Urban, Stone - Urban, Corten - Urban, Oak - Woodland, Walnut - Woodland, Pine - Woodland |
| Weight | 7.5 kg |

| | |
|---------------------------------|---|
| Operating temperature | -20 °C to 40 °C |
| Cable | One IP68 connector supplied with 0.2 m of 3x1.0 sqmm outdoor cable |
| Through wiring | Single cable entry |
| Lens / Reflector / Optic | High-efficiency PMMA lens |
| MacAdam Ellipse | 3 SDCM |
| Lifetime L90B10 (hours) | > 50,700 |
| Lifetime L80B10 (hours) | > 63,500 |
| Lifetime L80B50 (hours) | > 63,500 |
| Variants (1-10V, DALI) | Compatible with EN/ IEC 60598-2-22: Suitable for emergency installations as central supply, non-maintained (Z0) |

FOR-10052



FORREY 6 (FOR-10052)

Accessory



Anchor bolt
A10291



Power connection box (IP65)
modification upon request
POWER-BOX-IP65



DALI Control System
Control-DALI