

LIGHTSOFT 20 (LH-10821)



Product description

186x186 mm - 1000 mm - 27 hours of operation time (Dimming with motion sensor override) - 5 days of autonomy



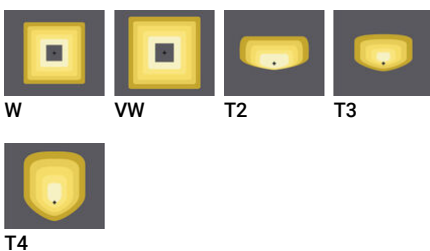
Luminaire Structure

- Die-cast aluminium housing
- Extruded aluminium column
- Pre-treated before powder coating ensuring high corrosion resistance
- Stainless steel fasteners in grade 304 with zinc flake coating (ZFC)
- Durable silicone rubber gasket
- Clear UV-stabilised polycarbonate diffuser
- Anodised, high-purity aluminium reflector
- Integral control gear

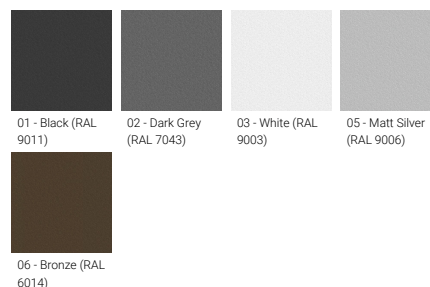
- Solar panel mono-crystalline silicon high-efficiency 4x10W
- Lithium Iron Phosphate (LiFePO4) battery 18Ah 12 VDC
- Solar charger controller system 12V 10A
- Luminaires operation time depends on the weather conditions
- Full automatic electronic protection function against short circuit, overcurrent, overload, overvoltage and high temperature
- Standard: Off-grid, 100% solar, not connected to the utility grid. Utility grid connection is available upon request
- Without any sun (Autonomy), the battery would last for a maximum 5 days
- * Motion sensor integrated

- Different dimming options are available
- STD: 2 Step dimming with motion sensor override (3 hours: 60% without movement, 100% for 1 minute when the motion sensor activated. After 3 hours: 30% without movement, 60% for 1 minute when the motion sensor activated)
- ND: Dusk to Dawn, CT: Custom examples are 5 Step dimming, Custom hours, Custom dimming levels (Step length and minimum dim level is 10%)
- Maximum 27 hours of operation time (Dimming with motion sensor override)
- Remote solar charge controller can be ordered as an accessory
- Autonomy and Operation time calculations are done with the following information: Peak Sun-Hour (PSH) is 3 hours. Hours of operation are 12 hours per day. Detection of movement is 10 times per hour.
- Autonomy and Operation time calculations are only indicative and will depend on several variable factors. Please contact the factory to determine the specific calculations for your project.

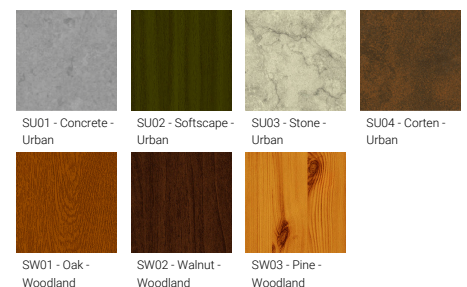
Optic



Product colour



Special finishes upon request



LIGHTSOFT 20 (LH-10821)

Technical information

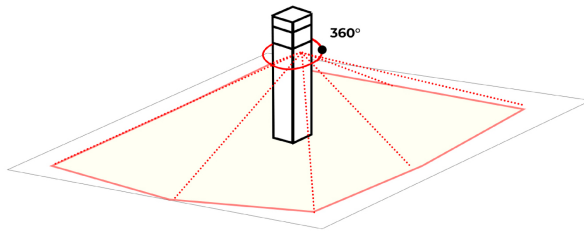
Material	Aluminium
Light source	18 LED
Power	2 W
Lumen	147 - 194 lm
Efficacy	74 - 97 lm/W
Driver option	Integral control gear
Driver	Constant current (CC)
Input voltage	Solar

Optic	W, VW, T2, T3, T4
Optic value	108°, 120°, 136°x22°, 140°x44°, 148°x78°
CCT / CRI	2700K CRI80, 3000K CRI80, 4000K CRI80
Bug	B0-U2-G0, B0-U2-G1
ULR	14%, 17%, 20%, 23%
ULOR	14%, 17%, 20%, 23%
CIE flux code n°3	78, 79, 83
Dimming type	Dusk to Dawn, 2 Step dimming with motion sensor override, Solar Custom

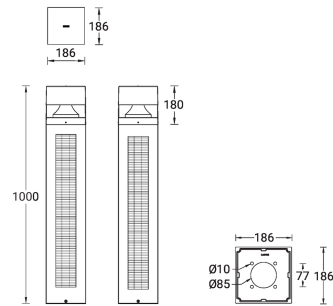
Product colours	Black, Dark Grey, White, Matt Silver, Bronze, Concrete - Urban, Softscape - Urban, Stone - Urban, Corten - Urban, Oak - Woodland, Walnut - Woodland, Pine - Woodland
Weight	19.0 kg
Operating temperature	-20 °C to 40 °C
Lens / Reflector / Optic	Clear UV-stabilised polycarbonate diffuser, Anodised, high-purity aluminium reflector
MacAdam Ellipse	3 SDCM
Lifetime L90B10 (hours)	> 120,000
Lifetime L80B10 (hours)	> 120,000
Lifetime L80B50 (hours)	> 120,000

LIGHTSOFT

Adjustable sensor (10 - 150 seconds)
360° sensitivity
Sensor detection area: 7 - 10 m



LH-10821



LIGHTSOFT 20 (LH-10821)**Accessory**



Anchor bolt
A10391



Remote solar charge controller
for Solar Integrated Bollards and
Vertical Solar PV poles
A92691



Auto dimming feature
auto-dim