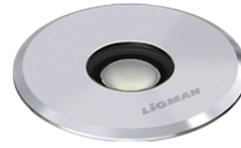


NEVADA 2 (NE-60836) (Version 1)**Product description**

Without remote driver - With recessing box - Constant voltage (CV) 24 V - RGBW

**Luminaire Structure**

- Die-cast aluminium housing
- Pre-treated before powder coating ensuring high corrosion resistance
- 3 mm thick front ring in grade 316 stainless steel
- Single cable entry
- One cable gland supplied with 0.5 m of 5x0.75 sqmm outdoor cable
- Stainless steel fasteners in grade 316
- Durable silicone rubber gasket
- Clear toughened glass
- Remote driver (not included)
- Recessing box in high-density polyethylene is included
- Suitable for walk-over with a maximum load of 200 kg
- To ensure efficient drainage, gravel must be used to a depth of 450 mm and width of 300 mm beneath the housing and should also be placed around luminaire

Optic**M****Product colour**

00 - Stainless Steel

NEVADA 2 (NE-60836) (Version 1)

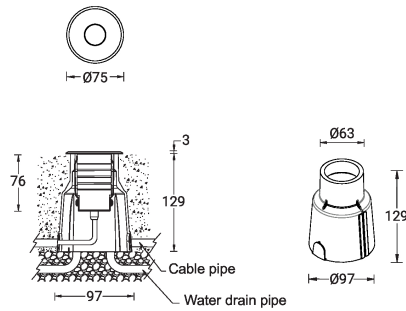
Technical information

Material	Stainless Steel
Light source	1 LED
Power	5 W
Lumen	224 lm
Efficacy	45 lm/W
Driver option	Remote driver (not included)
Driver	Constant voltage (CV)

Input voltage	24 VDC
Optic	M
Optic value	33°
CCT / CRI	RGBW30, RGBW40
ULR	100%
ULOR	100%
Dimming type	DMX, DMX/RDM

Product colours	Stainless Steel
Weight	0.46 kg
Operating temperature	-20 °C to 40 °C
Cable	One cable gland supplied with 0.5 m of 5x0.75 sqmm outdoor cable
Through wiring	Single cable entry
Lens / Reflector / Optic	Clear toughened glass

NE-60836



Accessory



DMX Control System
Control-DMX



DMX/RDM Control System
Control-DMX-RDM