

PARAGON 1 (PR-50001)



Product description

Round



microPrim™

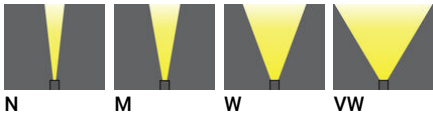
Luminaire Structure

- Extruded aluminium housing
- Pre-treated before powder coating ensuring high corrosion resistance
- Single cable entry

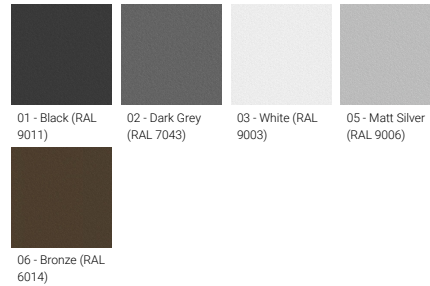
- Stainless steel fasteners in grade 304 with zinc flake coating (ZFC)
- Durable silicone rubber gasket
- High-efficiency optical reflector

- Clear toughened glass
- Integral control gear

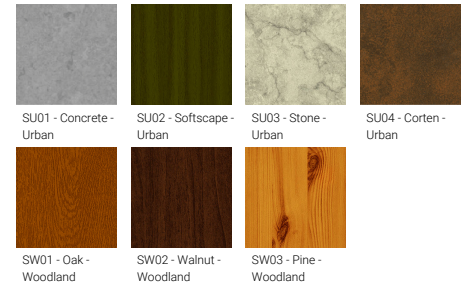
Optic



Product colour



Special finishes upon request



PARAGON 1 (PR-50001)

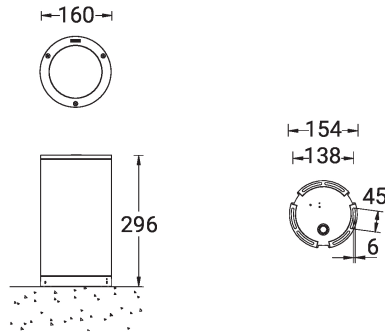
Technical information

Material	Aluminium
Light source	1 COB
Power	35 W
Lumen	3475 - 4094 lm
Efficacy	99 - 117 lm/W
Driver option	Integral control gear
Driver	Constant current (CC)
Input voltage	220-240 V 50/60 Hz
Optic	N, M, W, VW

Optic value	16°, 26°, 42°, 59°
CCT / CRI	3000K CRI80, 4000K CRI80
Bug	B0-U5-G0
ULR	100%
ULOR	100%
Dimming type	On/Off, 1-10V, DALI
Product colours	Black, Dark Grey, White, Matt Silver, Bronze, Concrete - Urban, Softscape - Urban, Stone - Urban, Corten - Urban, Oak - Woodland, Walnut - Woodland, Pine - Woodland
Weight	2.2 kg
Operating temperature	-20 °C to 40 °C

EPA (m2)	0.047
Through wiring	Single cable entry
Lens / Reflector / Optic	High-efficiency optical reflector, Clear toughened glass
MacAdam Ellipse	3 SDCM
Lifetime L90B10 (hours)	> 50,700
Lifetime L80B10 (hours)	> 63,500
Lifetime L80B50 (hours)	> 63,500
Variants (1-10V, DALI)	Compatible with EN/ IEC 60598-2-22: Suitable for emergency installations as central supply, non-maintained (Z0)

PR-50001



PARAGON 1 (PR-50001)**Accessory**



Anti-glare visor
A51831



DALI Control System
Control-DALI