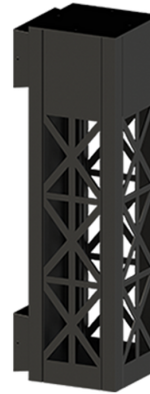


**VANCOUVER 29** (VA-30022)



**Product description**

240x240 mm - 1000 mm - Decorative pattern type 2

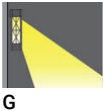


microPrim™

**Luminaire Structure**

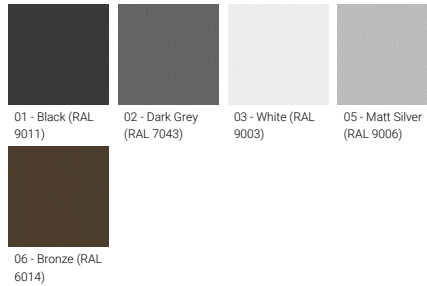
- Die-cast aluminium housing
- Extruded aluminium column
- Pre-treated before powder coating ensuring high corrosion resistance
- Single cable entry
- Stainless steel fasteners in grade 304 with zinc flake coating (ZFC)
- Durable silicone rubber gasket
- Clear toughened glass
- High-efficiency optical reflector
- Integral control gear

**Optic**

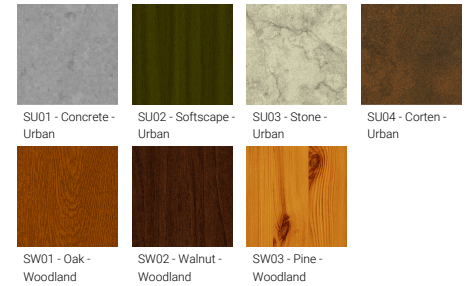


G

**Product colour**



**Special finishes upon request**



**VANCOUVER 29** (VA-30022)

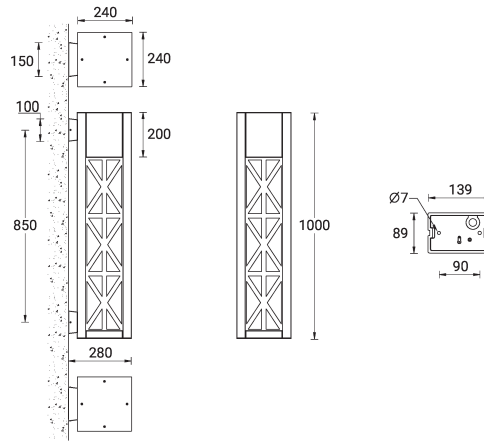
**Technical information**

<b>Material</b>	Aluminium
<b>Light source</b>	1 COB
<b>Power</b>	39 W
<b>Lumen</b>	1096 - 1167 lm
<b>Efficacy</b>	28 - 30 lm/W
<b>Driver option</b>	Integral control gear
<b>Driver</b>	Constant current (CC)
<b>Input voltage</b>	220-240 V 50/60 Hz
<b>Optic</b>	G

<b>Optic value</b>	56°
<b>CCT / CRI</b>	3000K CRI80, 4000K CRI80
<b>Bug</b>	B1-U1-G0
<b>ULR</b>	0%
<b>ULOR</b>	0%
<b>CIE flux code n°3</b>	99
<b>Dimming type</b>	On/Off, 1-10V, DALI
<b>Product colours</b>	Black, Dark Grey, White, Matt Silver, Bronze, Concrete - Urban, Softscape - Urban, Stone - Urban, Corten - Urban, Oak - Woodland, Walnut - Woodland, Pine - Woodland
<b>Weight</b>	15.8 kg

<b>Operating temperature</b>	-20 °C to 40 °C
<b>Through wiring</b>	Single cable entry
<b>Lens / Reflector / Optic</b>	Clear toughened glass, High-efficiency optical reflector
<b>MacAdam Ellipse</b>	3 SDCM
<b>Lifetime L90B10 (hours)</b>	> 50,700
<b>Lifetime L80B10 (hours)</b>	> 63,500
<b>Lifetime L80B50 (hours)</b>	> 63,500
<b>Variants (1-10V, DALI)</b>	Compatible with EN/ IEC 60598-2-22: Suitable for emergency installations as central supply, non-maintained (Z0)

VA-30022



**Accessory**

---



DALI Control System  
**Control-DALI**

---