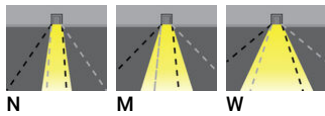


CEDAR 3 (CD-80041)**Product description**

147x291 mm

**Luminaire Structure**

- Die-cast aluminium housing with powder coating
- Die-cast aluminium heat sink with excellent thermal management
- Adjustable: Tilt 30°
- High-efficiency PMMA lens
- Remote driver (included)

Optic**Product colour**

CEDAR 3 (CD-80041)

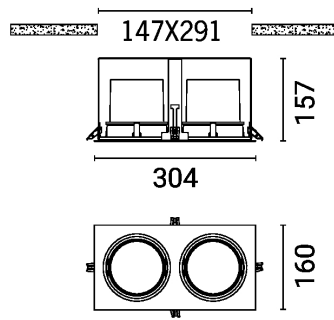
Technical information

Material	Aluminium
Light source	2 x 18 LED
Power	62 W
Lumen	6514 - 7328 lm
Efficacy	105 - 118 lm/W
Driver option	Remote driver (included)
Driver	Constant current (CC)
Input voltage	220-240 V 50/60 Hz
Optic	N, M, W

Optic value	15°, 27°, 42°
CCT / CRI	3000K CRI80, 4000K CRI80
Bug	B3-U0-G0
ULR	<1%
ULOR	<1%
CIE flux code n°3	100, 99
Dimming type	On/Off, 1-10V, DALI
Product colours	Glossy White, Glossy Black
Weight	2.6 kg

Operating temperature	-20 °C to 50 °C
Lens / Reflector / Optic	High-efficiency PMMA lens
MacAdam Ellipse	3 SDCM
Lifetime L90B10 (hours)	> 120,000
Lifetime L80B10 (hours)	> 120,000
Lifetime L80B50 (hours)	> 120,000
Variants (1-10V)	Compatible with EN/ IEC 60598-2-22: Suitable for emergency installations as central supply, non-maintained (Z0)

CD-80041



CEDAR 3 (CD-80041)

Accessory



DALI Control System
Control-DALI
