

GANDALF 22 (GA-31913)



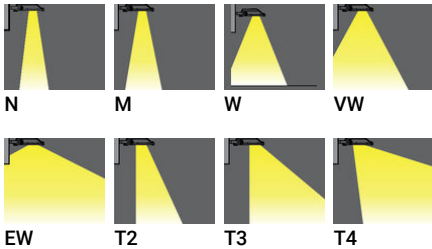
Luminaire Structure

- Die-cast aluminium housing
- Pre-treated before powder coating ensuring high corrosion resistance
- Two cable entries for through wiring

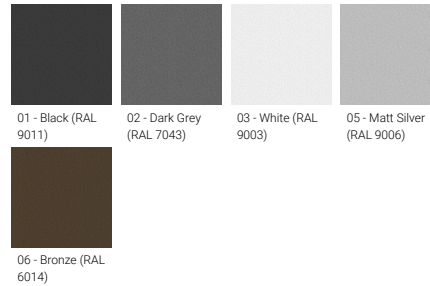
- Stainless steel fasteners in grade 304 with zinc flake coating (ZFC)
- Durable silicone rubber gasket
- High-efficiency PMMA lens

- Clear toughened glass
- Integral control gear

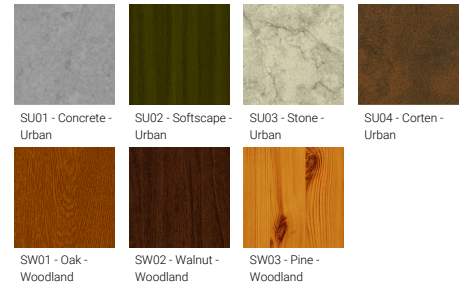
Optic



Product colour



Special finishes upon request



GANDALF 22 (GA-31913)

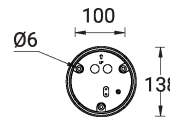
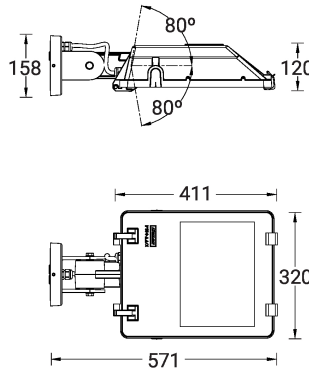
Technical information

Material	Aluminium
Light source	48 LED
Power	54 W
Lumen	5547 - 7027 lm
Efficacy	103 - 130 lm/W
Driver option	Integral control gear
Driver	Constant current (CC)
Input voltage	220-240 V 50/60 Hz
Optic	N, M, W, VW, EW, T2, T3, T4

Optic value	11°, 30°, 52°, 68°, 115°, 142°x42°, 150°x71°, 122°x79°
CCT / CRI	3000K CRI80, 4000K CRI80
Bug	B1-U0-G1, B2-U0-G0, B2-U0-G2, B3-U0-G0, B3-U0-G1, B4-U0-G0
ULR	<1%
ULOR	<1%
CIE flux code n°3	100, 97, 98, 99
Dimming type	On/Off, 1-10V, DALI
Product colours	Black, Dark Grey, White, Matt Silver, Bronze, Concrete - Urban, Softscape - Urban, Stone - Urban, Corten - Urban, Oak - Woodland, Walnut - Woodland, Pine - Woodland
Weight	9.5 kg

Operating temperature	-20 °C to 40 °C
Through wiring	Two cable entries for through wiring
Lens / Reflector / Optic	High-efficiency PMMA lens, Clear toughened glass
MacAdam Ellipse	3 SDCM
Lifetime L90B10 (hours)	> 90,000
Lifetime L80B10 (hours)	> 90,000
Lifetime L80B50 (hours)	> 90,000
Variants (On/Off, 1-10V, DALI)	Compatible with EN/ IEC 60598-2-22: Suitable for emergency installations as central supply, non-maintained (Z0)

GA-31913



GANDALF 22 (GA-31913)

Accessory



DALI Control System
Control-DALI
