

JET 54 (JE-30403)



Product description

160x160 mm - 263 mm - Down (Optic) & Up (Optic 2nd) - Square - RGBW

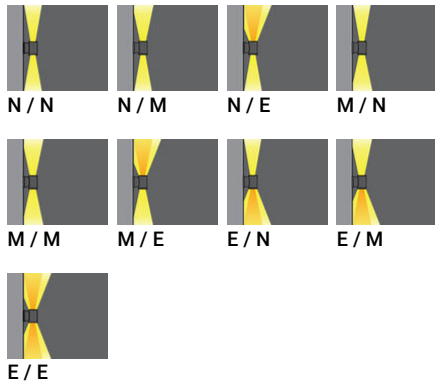


microPrim™

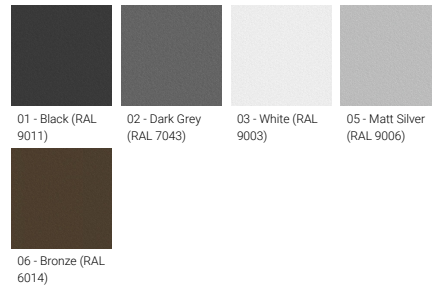
Luminaire Structure

- Die-cast aluminium housing
- Pre-treated before powder coating ensuring high corrosion resistance
- Two cable entries for through wiring
- Stainless steel fasteners in grade 304 with zinc flake coating (ZFC)
- Durable silicone rubber gasket
- Clear toughened glass
- Integral control gear
- Optional surface mounting box for easy wiring or conduit connection when wiring from behind is not possible
- JET luminaires with uplight and colder than 3000K CCT do not meet the IDA certification requirements

Optic



Product colour



Special finishes upon request



JET 54 (JE-30403)

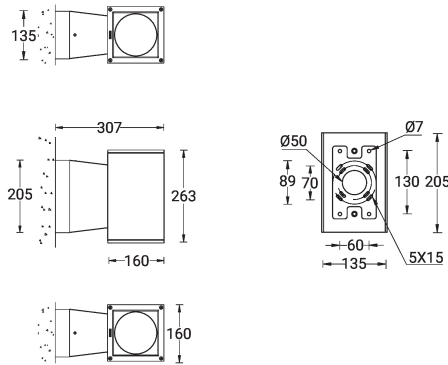
Technical information

Material	Aluminium
Light source	7 & 7 LED
Power	66 W
Lumen	2238 - 2858 lm
Efficacy	34 - 43 lm/W
Driver option	Integral control gear
Driver	Constant current (CC)

Input voltage	220-240 V 50/60 Hz
Optic	N, M, E
Optic value	21°, 35°, 26° x 48°
Optic (2nd)	N, M, E
Optic (2nd) value	21°, 35°, 26° x 48°
CCT / CRI	RGBW30, RGBW40, RGBW65
Dimming type	DMX, DMX/RDM

Product colours	Black, Dark Grey, White, Matt Silver, Bronze, Concrete - Urban, Softscape - Urban, Stone - Urban, Corten - Urban, Oak - Woodland, Walnut - Woodland, Pine - Woodland
Weight	6.7 kg
Operating temperature	-20 °C to 50 °C
Through wiring	Two cable entries for through wiring
Lens / Reflector / Optic	Clear toughened glass
Variants (DMX/RDM)	Compatible with EN/ IEC 60598-2-22: Suitable for emergency installations as central supply, non-maintained (Z0)

JE-30403



Accessory



DMX Control System
Control-DMX



DMX/RDM Control System
Control-DMX-RDM