

MACARON 8 (MC-20041)



Product description

Supplied with specific 2.25 m cylindrical, straight aluminium pole: APD122102-MC-20041 - IP65



microPrim™



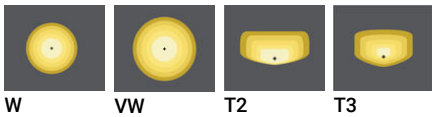
Luminaire Structure

- Die-cast aluminium housing and frame
- Pre-treated before powder coating ensuring high corrosion resistance
- Extruded aluminium column
- Customised dimensions are available as standard upon request

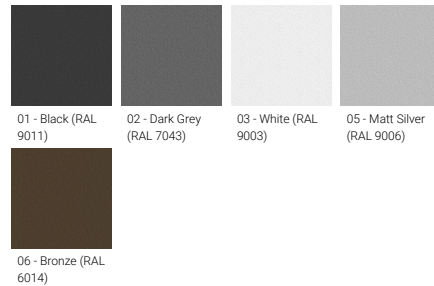
- Single cable entry
- One IP68 connector supplied with 0.2 m of 3x1.0 sqmm outdoor cable
- Stainless steel fasteners in grade 304 with zinc flake coating (ZFC)
- Durable silicone rubber gasket

- Clear toughened glass
- High-efficiency PMMA lens
- Integral control gear

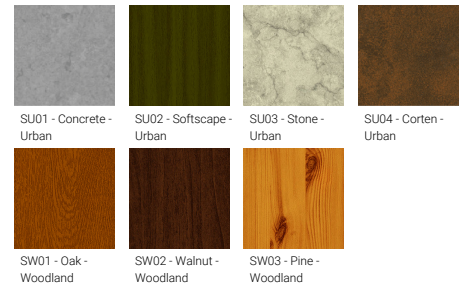
Optic



Product colour



Special finishes upon request



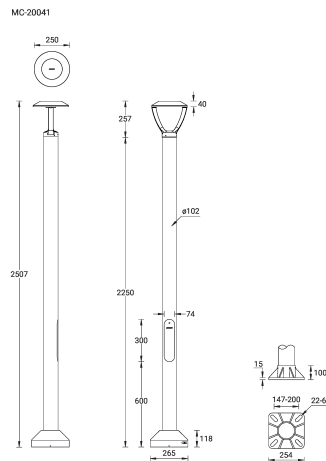
MACARON 8 (MC-20041)

Technical information

Material	Aluminium
Light source	28 LED
Power	22 W
Lumen	12306 - 16632 lm
Efficacy	93 - 126 lm/W
Driver option	Integral control gear
Driver	Constant current (CC)
Input voltage	220-240 V 50/60 Hz

Optic	W, VW, T2, T3
Optic value	37°x76°, 33°x111°, 55°x44°, 34°x40°
CCT / CRI	3000K CRI80, 4000K CRI80
Bug	B1-U1-G1
ULR	0, <1%
ULOR	0, <1%
CIE flux code n°3	95, 96, 97
Dimming type	On/Off, DALI

Product colours	Black, Dark Grey, White, Matt Silver, Bronze, Concrete - Urban, Softscape - Urban, Stone - Urban, Corten - Urban, Oak - Woodland, Walnut - Woodland, Pine - Woodland
Weight	9.2 kg
Operating temperature	-20 °C to 50 °C
EPA (m2)	0.020
Cable	One IP68 connector supplied with 0.2 m of 3x1.0 sqmm outdoor cable
Through wiring	Single cable entry
Lens / Reflector / Optic	Clear toughened glass, High-efficiency PMMA lens
Variants (On/Off, DALI)	Compatible with EN/ IEC 60598-2-22: Suitable for emergency installations as central supply, non-maintained (Z0)



MACARON 8 (MC-20041)**Accessory**



Root mount kit
A20491



Circuit breaker box IP44
A21291



DALI Control System
Control-DALI

Pole (required)



2.25 m - Cylindrical, straight
aluminium pole for MACARON
APD122102-MC-20041