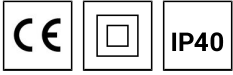
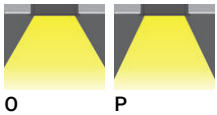


VIENNA 2 (VIE-80012)**Product description**

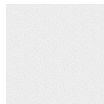
300x1200 mm

**Luminaire Structure**

- Formed sheet steel body with powder coating
- White painted metal sheet
- UV & flame resistant, chemical & salt stable PVC
- Stainless steel fasteners in grade 304 with zinc flake coating (ZFC)
- PMMA diffuser with Opal (UGR <19) and micro prismatic (UGR <13) options for better glare control
- Integral control gear
- Recessed and surface mounted options
- Accessories: Aluminium frame for surface installation & Aluminium frame for recessed installation of fitting into gypsum plasterboard

Optic

O P

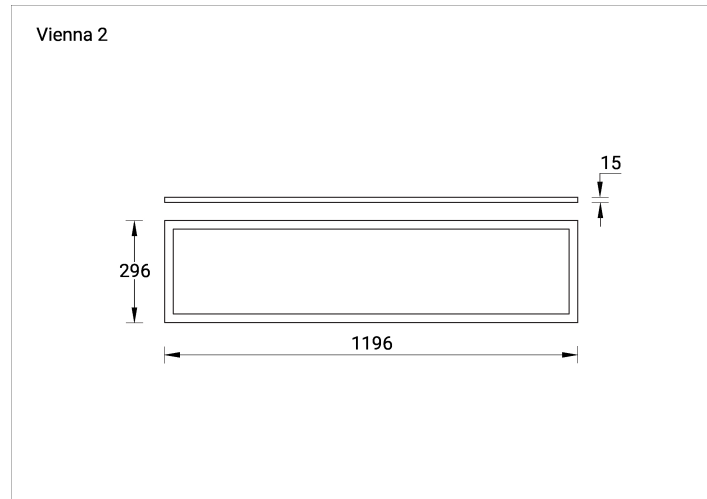
Product colour

03 - White (RAL 9003)

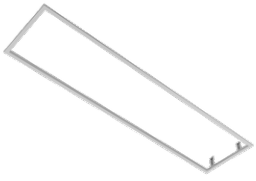
VIENNA 2 (VIE-80012)

Technical information

Material	Aluminium	Driver option	Integral control gear	CCT / CRI	3000K CRI90, 4000K CRI90
Light source	182 LED	Driver	Constant current (CC)	Dimming type	On/Off
Power	57 W	Input voltage	220-240 V 50/60 Hz	Product colours	White
Lumen	5800 - 6000 lm	Optic	O, P	Weight	5.0 kg
Efficacy	102 - 105 lm/W	Optic value	Opal, Micro-prismatic	Operating temperature	-20 °C to 40 °C



VIENNA 2 (VIE-80012)**Accessory**



Frame for recessed installation
of fittings into gypsum
plasterboard ceiling
RECTANGLE (White)
A83181



Frame for surface installation
RECTANGLE (White)
A83381



Wireless bluetooth converter
A90291



Xpress wireless switch
A90591
