

BENTON 10 (BE-10071)



Product description

Ø225 - 1000 mm



Luminaire Structure

- Die-cast aluminium housing
- Extruded aluminium column
- Pre-treated before powder coating ensuring high corrosion resistance
- Single cable entry

- One IP68 connector supplied with 0.2 m of 3x1.0 sqmm outdoor cable
- Stainless steel fasteners in grade 304 with zinc flake coating (ZFC)
- Durable silicone rubber gasket
- High-efficiency polycarbonate lens

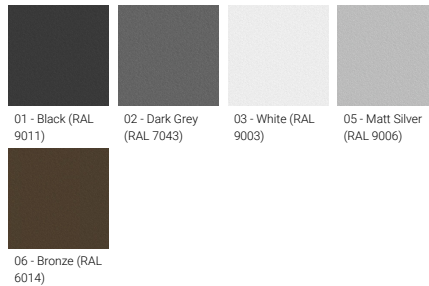
- Clear toughened glass
- Integral control gear

Optic

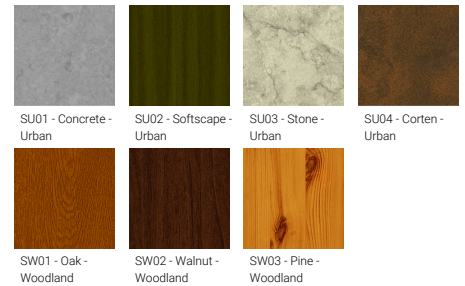


G

Product colour



Special finishes upon request



BENTON 10 (BE-10071)

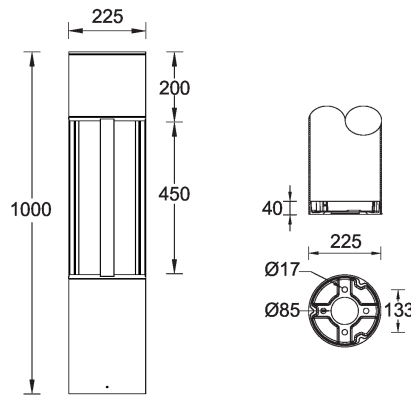
Technical information

Material	Aluminium
Light source	1 COB
Power	27 W
Lumen	1427 - 1534 lm
Efficacy	53 - 57 lm/W
Driver option	Integral control gear
Driver	Constant current (CC)
Input voltage	220-240 V 50/60 Hz
Optic	G

Optic value	148°
CCT / CRI	3000K CRI80, 4000K CRI80
Bug	B1-U1-G1
ULR	<1%
ULOR	<1%
CIE flux code n°3	86
Dimming type	On/Off, 1-10V, DALI
Product colours	Black, Dark Grey, White, Matt Silver, Bronze, Concrete - Urban, Softscape - Urban, Stone - Urban, Corten - Urban, Oak - Woodland, Walnut - Woodland, Pine - Woodland
Weight	9.5 kg

Operating temperature	-20 °C to 40 °C
Cable	One IP68 connector supplied with 0.2 m of 3x1.0 sqmm outdoor cable
Through wiring	Single cable entry
Lens / Reflector / Optic	High-efficiency polycarbonate lens, Clear toughened glass
MacAdam Ellipse	3 SDCM
Lifetime L90B10 (hours)	> 50,700
Lifetime L80B10 (hours)	> 63,500
Lifetime L80B50 (hours)	> 63,500
Variants (1-10V, DALI)	Compatible with EN/ IEC 60598-2-22: Suitable for emergency installations as central supply, non-maintained (Z0)

BE-10071



BENTON 10 (BE-10071)**Accessory**



Anchor bolt
A10491



DALI Control System
Control-DALI