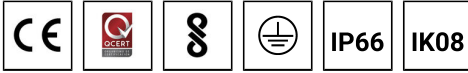


LADOR 3 (LD-50021)



Product description

Integral control gear - 120x120 mm - Class I

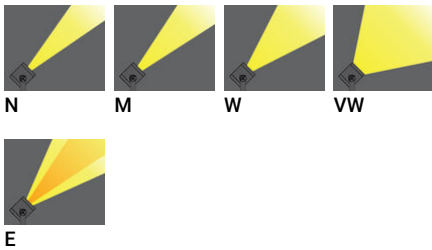


microPrim™

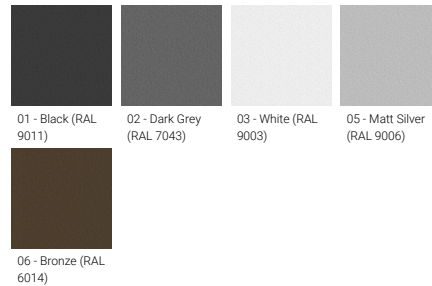
Luminaire Structure

- Die-cast aluminium housing
- Thermal heat dissipation body
- Pre-treated before powder coating ensuring high corrosion resistance
- Single cable entry
- One IP68 connector supplied with 0.2 m of 3x1.0 sqmm outdoor cable
- Stainless steel fasteners in grade 304 with zinc flake coating (ZFC)
- Durable silicone rubber gasket
- High-efficiency PMMA lens
- Clear toughened glass
- Integral control gear
- LADOR 1, 2, 3 and 4 are not available in European Union

Optic



Product colour



Special finishes upon request



LADOR 3 (LD-50021)

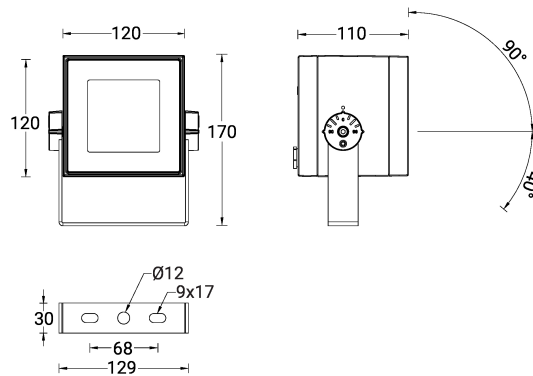
Technical information

Material	Aluminium
Light source	9 LED
Power	21 W
Lumen	1306 - 2364 lm
Efficacy	62 - 113 lm/W
Driver option	Integral control gear
Driver	Constant current (CC)
Input voltage	220-240 V 50/60 Hz
Optic	N, M, W, VW, E
Optic value	10°, 17°, 34°, 70°, 43°x11°

CCT / CRI	3000K CRI80, 4000K CRI80, TW(AMBER - 3000K)
Bug	B1-U0-G0, B2-U0-G0, B3-U0-G0
ULR	<1%
ULOR	<1%
CIE flux code n°3	100
Dimming type	On/Off, DALI
Product colours	Black, Dark Grey, White, Matt Silver, Bronze, Concrete - Urban, Softscape - Urban, Stone - Urban, Corten - Urban, Oak - Woodland, Walnut - Woodland, Pine - Woodland
Weight	2.2 kg
Operating temperature	-20 °C to 40 °C
EPA (m2)	0.019

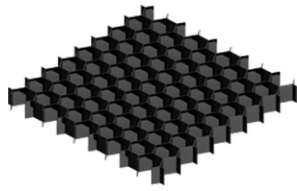
Cable	One IP68 connector supplied with 0.2 m of 3x1.0 sqmm outdoor cable
Through wiring	Single cable entry
Lens / Reflector / Optic	High-efficiency PMMA lens, Clear toughened glass
MacAdam Ellipse	3 SDCM
Lifetime L90B10 (hours)	> 120,000
Lifetime L80B10 (hours)	> 120,000
Lifetime L80B50 (hours)	> 120,000
Variants (On/Off, DALI)	Compatible with EN/ IEC 60598-2-22: Suitable for emergency installations as central supply, non-maintained (Z0)

LD-50021



LADOR 3 (LD-50021)**Accessory**

Ground spike
A50441



Honeycomb louvre
A52021



Linear spread lens
A51314



DALI Control System
Control-DALI



Anti-glare visor
A53031

Please contact the factory for technical details if you wish to use Anti-glare accessories, Colour filters, Lenses and slip glasses in combination.