

LIGHT LINEAR VT 6 (VT-20023)



Product description

1 side angular - Supplied with specific square, straight aluminium pole - Height options: 3 - 6 m



microVos microPrim™

Luminaire Structure

- Die-cast aluminium housing
- Extruded aluminium column
- Pre-treated before powder coating ensuring high corrosion resistance
- Single cable entry
- One cable gland supplied with 1 m of 3x1.0 sqmm outdoor cable
- Stainless steel fasteners in grade 304 with zinc flake coating (ZFC)
- Durable silicone rubber gasket
- Clear toughened glass
- High-efficiency PMMA lens
- Integral control gear
- Maximum wind load resistance is 120 km/h
- Surge protection 10kV

Optic

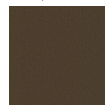


T1 T2 T3 T4

Product colour

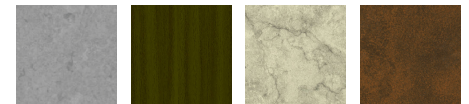


01 - Black (RAL 9011) 02 - Dark Grey (RAL 7043) 03 - White (RAL 9003) 05 - Matt Silver (RAL 9006)

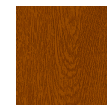


06 - Bronze (RAL 6014)

Special finishes upon request



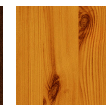
SU01 - Concrete - Urban SU02 - Softscape - Urban SU03 - Stone - Urban SU04 - Corten - Urban



SW01 - Oak - Woodland



SW02 - Walnut - Woodland



SW03 - Pine - Woodland

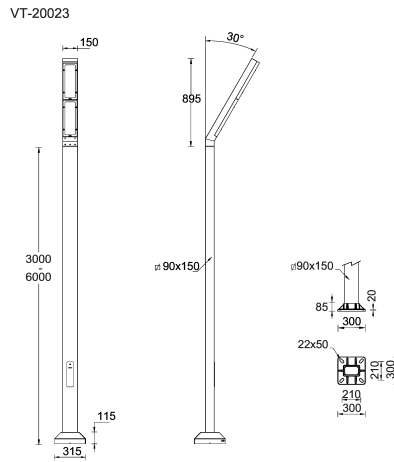
LIGHT LINEAR VT 6 (VT-20023)

Technical information

Material	Aluminium
Light source	4 x 12 LED
Power	107 W
Lumen	6526 - 9405 lm
Efficacy	61 - 88 lm/W
Driver option	Integral control gear
Driver	Constant current (CC)
Input voltage	220-240 V 50/60 Hz
Optic	T1, T2, T3, T4

Optic value	113°x35°, 131°x36°, 99°x47°, 47°x20°
CCT / CRI	3000K CRI80, 4000K CRI80
Bug	B0-U2-G2, B1-U2-G1, B1-U2-G2
ULR	1%
ULOR	1%
CIE flux code n°3	96, 98, 99
Dimming type	On/Off, 1-10V, DALI
Product colours	Black, Dark Grey, White, Matt Silver, Bronze, Concrete - Urban, Softscape - Urban, Stone - Urban, Corten - Urban, Oak - Woodland, Walnut - Woodland, Pine - Woodland
Weight	30.4 kg

Operating temperature	-20 °C to 50 °C
EPA (m2)	0.134
Cable	One cable gland supplied with 1 m of 3x1.0 sqmm outdoor cable
Through wiring	Single cable entry
Lens / Reflector / Optic	Clear toughened glass, High-efficiency PMMA lens
MacAdam Ellipse	3 SDCM
Lifetime L90B10 (hours)	> 90,000
Lifetime L80B10 (hours)	> 90,000
Lifetime L80B50 (hours)	> 90,000



LIGHT LINEAR VT 6 (VT-20023)**Accessory**

Root mount kit
A20891



Circuit breaker box IP44
A21291



Internal cable support for pole 3
m
A23991



Internal cable support for pole 4
m
A24091



Internal cable support for pole 5
m
A24191



Internal cable support for pole 6
m
A24291



DALI Control System
Control-DALI

Pole (required)

3 m - Square, straight aluminium
pole for LIGHT LINEAR VT
APC130090-VT



4 m - Square, straight aluminium
pole for LIGHT LINEAR VT
APC140090-VT