

GANDALF 12 (GA-51101)



Product description

RGBW

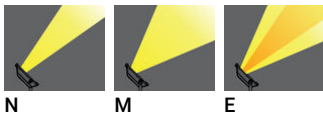


microVos microPrim™

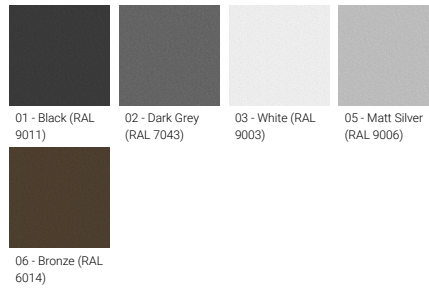
Luminaire Structure

- Die-cast aluminium housing
- Pre-treated before powder coating ensuring high corrosion resistance
- Single cable entry, through wiring upon request
- Three IP68 connectors supplied with 0.2 m of 3x1.0 sqmm outdoor cable and 2x0.2 m of 2x0.5 sqmm outdoor shielded cable
- Stainless steel fasteners in grade 304 with zinc flake coating (ZFC)
- Durable silicone rubber gasket
- High-efficiency PMMA lens
- Clear toughened glass
- Integral control gear
- Hot-dipped galvanised steel mounting bracket allows for ceiling, wall or surface mounting

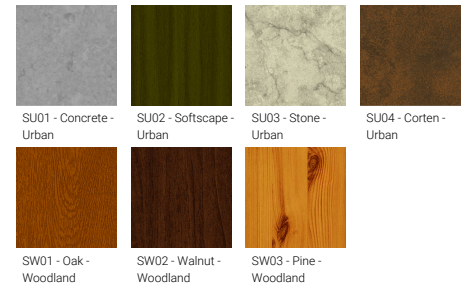
Optic



Product colour



Special finishes upon request



GANDALF 12 (GA-51101)

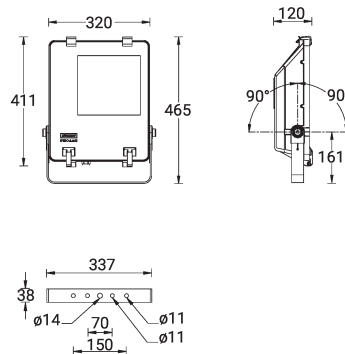
Technical information

Material	Aluminium
Light source	16 LED
Power	50 W
Lumen	1794 - 2148 lm
Efficacy	36 - 43 lm/W
Driver option	Integral control gear
Driver	Constant current (CC)
Input voltage	220-240 V 50/60 Hz

Optic	N, M, E
Optic value	20°, 35°, 25°x 48°
CCT / CRI	RGBW30, RGBW40
Bug	B2-U1-G0
ULR	<1%
ULOR	<1%
CIE flux code n°3	100
Dimming type	DMX, DMX/RDM

Product colours	Black, Dark Grey, White, Matt Silver, Bronze, Concrete - Urban, Softscape - Urban, Stone - Urban, Corten - Urban, Oak - Woodland, Walnut - Woodland, Pine - Woodland
Weight	7.0 kg
Operating temperature	-20 °C to 40 °C
EPA (m2)	0.149
Cable	Three IP68 connectors supplied with 0.2 m of 3x1.0 sqmm outdoor cable and 2x0.2 m of 2x0.5 sqmm outdoor shielded cable
Through wiring	Single cable entry, through wiring upon request
Lens / Reflector / Optic	High-efficiency PMMA lens, Clear toughened glass
Variants (DMX/RDM)	Compatible with EN/ IEC 60598-2-22: Suitable for emergency installations as central supply, non-maintained (Z0)

GA-51101



GANDALF 12 (GA-51101)**Accessory**



Spigot cover for double lantern
A50260-SC60



Spigot cover for double lantern
A50276-SC76



Spigot cover for single lantern
A50160-SC60



Spigot cover for single lantern
A50176-SC76



DMX Control System
Control-DMX



DMX/RDM Control System
Control-DMX-RDM