

LADOR 42 (LD-50201) (Version 1)



Product description

With remote driver IP-rated - Constant voltage (CV) 24 V - 62x62 mm - Class III - RGBW



microPrim™

Luminaire Structure

- Die-cast aluminium housing
- Pre-treated before powder coating ensuring high corrosion resistance
- Thermal heat dissipation body
- Adjustable: Tilt 80° (Up) & 40° (Down), Rotation 350°
- Single cable entry
- Stainless steel fasteners in grade 304 with zinc flake coating (ZFC)
- Durable silicone rubber gasket
- High-efficiency PMMA lens
- Clear toughened glass
- Remote driver (included)

Optic



M

Product colour



Special finishes upon request



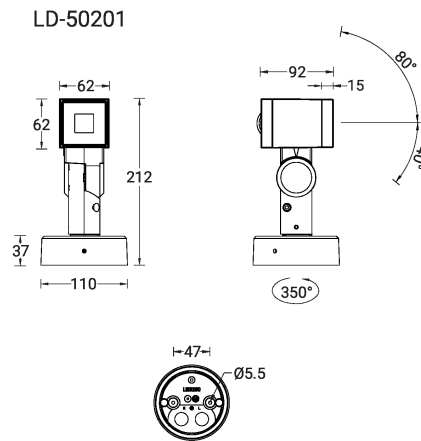
LADOR 42 (LD-50201) (Version 1)

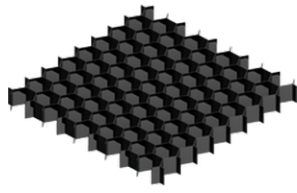
Technical information

Material	Aluminium
Light source	1 LED
Power	4 W
Lumen	166 - 170 lm
Efficacy	42 - 43 lm/W
Driver option	Remote driver (included)
Driver	Constant voltage (CV)

Input voltage	24 VDC
Optic	M
Optic value	34°
CCT / CRI	RGBW30, RGBW40
Dimming type	DMX, DMX/RDM
Product colours	Black, Dark Grey, White, Matt Silver, Bronze, Concrete - Urban, Softscape - Urban, Stone - Urban, Corten - Urban, Oak - Woodland, Walnut - Woodland, Pine - Woodland
Weight	1.4 kg

Operating temperature	-20 °C to 40 °C
EPA (m2)	0.023
Through wiring	Single cable entry
Lens / Reflector / Optic	High-efficiency PMMA lens, Clear toughened glass
Variants (DMX, DMX/RDM)	Compatible with EN/ IEC 60598-2-22: Suitable for emergency installations as central supply, non-maintained (Z0)



LADOR 42 (LD-50201) (Version 1)**Accessory**Anti-glare visor
A52831Honeycomb louvre
A51821Linear spread lens
A51114DMX Control System
Control-DMXDMX/RDM Control System
Control-DMX-RDMGround spike
A51041Mounting belt
A50291

Please contact the factory for technical details if you wish to use Anti-glare accessories, Colour filters, Lenses and slip glasses in combination.