

PITTSFIELD 4 (PIT-90002)



Product description

Down - 720 mm



microPrim™

Luminaire Structure

- Extruded aluminium bended profile with powder coating
- Passive thermal management
- Stainless steel fasteners in grade 304 with zinc flake coating (ZFC)
- PMMA diffuser with Opal (UGR <19) and micro prismatic (UGR <13) options for better glare control

- Integral control gear
- Stainless steel, adjustable, suspension (1.5 m) complete with electrical wires in white for mounting
- Up and down light distribution options
- Wireless control available through Bluetooth connection

- Daylight and occupancy sensor options
- Emergency module (1 or 3 hours) is available upon request with 3 options (BASIC, SELF-TEST, PRO-DALI)

Optic

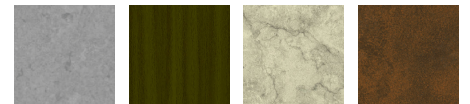


Product colour



01 - Black (RAL 9011) 03 - White (RAL 9003) 05 - Matt Silver (RAL 9006)

Special finishes upon request



SU01 - Concrete - Urban SU02 - Softscape - Urban SU03 - Stone - Urban SU04 - Corten - Urban



SW01 - Oak - Woodland SW02 - Walnut - Woodland SW03 - Pine - Woodland

PITTSFIELD 4 (PIT-90002)

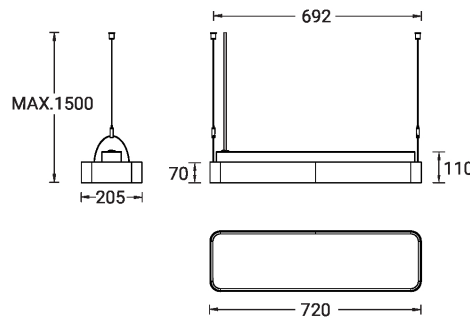
Technical information

| | |
|----------------------|-----------------------|
| Material | Aluminium |
| Light source | 288 LED |
| Power | 32 W |
| Lumen | 3306 - 3771 lm |
| Efficacy | 103 - 118 lm/W |
| Driver option | Integral control gear |
| Driver | Constant current (CC) |

| | |
|------------------------|---|
| Input voltage | 220-240 V 50/60 Hz |
| Optic | O, P |
| Optic value | Opal, Micro-prismatic |
| CCT / CRI | 3000K CRI80, 4000K CRI80 |
| Dimming type | On/Off, 1-10V, DALI |
| Product colours | Black, White, Matt Silver, Concrete - Urban, Softscape - Urban, Stone - Urban, Corten - Urban, Oak - Woodland, Walnut - Woodland, Pine - Woodland |
| Weight | 3.8 kg |

| | |
|--------------------------------|--|
| Operating temperature | -20 °C to 40 °C |
| MacAdam Ellipse | 3 SDCM |
| Lifetime L90B10 (hours) | > 23,000 |
| Lifetime L80B10 (hours) | > 45,000 |
| Lifetime L80B50 (hours) | > 50,000 |
| Variants (1-10V, DALI) | Compatible with EN/ IEC 60598-2-22: Suitable for emergency installations as central supply, non- maintained (Z0) |

PIT-90002



PITTSFIELD 4 (PIT-90002)

Accessory



Supply cable surface mounting box
A80981



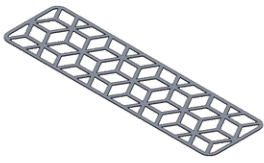
Wireless bluetooth converter
A90291



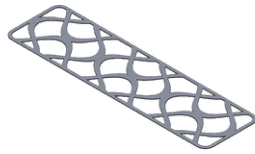
Xpress wireless switch
A90591



Decorative pattern - Type A for PITTSFIELD 720 mm
A91921



Decorative pattern - Type B for PITTSFIELD 720 mm
A93321



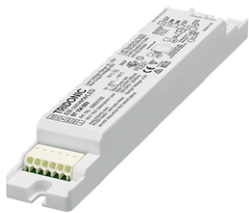
Decorative pattern - Type C for PITTSFIELD 720 mm
A94721



Emergency module - 250V - BASIC
EM250V-BA



Emergency module - 250V - PRO-DALI
EM250V-DA



Emergency module - 250V - SELF-TEST
EM250V-ST



DALI Control System
Control-DALI