

**UTAH 1** (UT-50552) (Version 5)



**Product description**

Without remote driver - Constant voltage (CV) 24V - Class III



**Luminaire Structure**

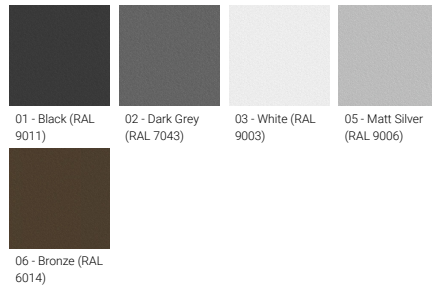
- Die-cast aluminium housing
- Pre-treated before powder coating ensuring high corrosion resistance
- Single cable entry
- One cable gland supplied with 0.5 m of 2x1.0 sqmm outdoor cable
- Stainless steel fasteners in grade 304 with zinc flake coating (ZFC)
- Durable silicone rubber gasket
- High-efficiency PMMA lens
- Clear toughened glass
- Remote driver (not included)
- Plastic ground spike for garden type

**Optic**

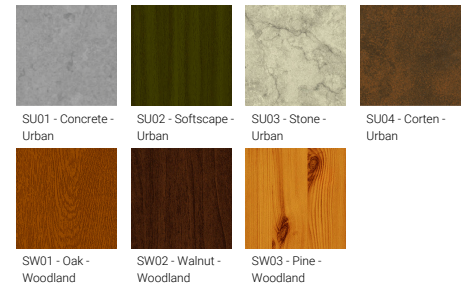


N

**Product colour**



**Special finishes upon request**



**UTAH 1 (UT-50552) (Version 5)**

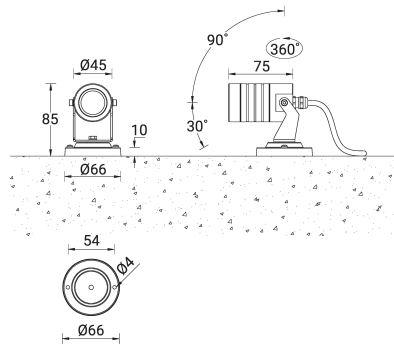
**Technical information**

<b>Material</b>	Aluminium
<b>Light source</b>	1 LED
<b>Power</b>	2 W
<b>Lumen</b>	191 - 201 lm
<b>Efficacy</b>	96 - 101 lm/W
<b>Driver option</b>	Remote driver (not included)
<b>Driver</b>	Constant voltage (CV)
<b>Input voltage</b>	24 VDC

<b>Optic</b>	N
<b>Optic value</b>	22°
<b>CCT / CRI</b>	3000K CRI80, 4000K CRI80
<b>Bug</b>	B0-U0-G0
<b>ULR</b>	<1%
<b>ULOR</b>	<1%
<b>CIE flux code n°3</b>	100
<b>Dimming type</b>	On/Off

<b>Product colours</b>	Black, Dark Grey, White, Matt Silver, Bronze, Concrete - Urban, Softscape - Urban, Stone - Urban, Corten - Urban, Oak - Woodland, Walnut - Woodland, Pine - Woodland
<b>Weight</b>	0.3 kg
<b>Operating temperature</b>	-20 °C to 40 °C
<b>EPA (m2)</b>	0.006
<b>Cable</b>	One cable gland supplied with 0.5 m of 2x1.0 sqmm outdoor cable
<b>Through wiring</b>	Single cable entry
<b>Lens / Reflector / Optic</b>	High-efficiency PMMA lens, Clear toughened glass

UT-50552



**UTAH 1** (UT-50552) (Version 5)**Accessory**

Anti-glare visor  
**A51431**



Driver (CV) - On/Off - 36 W - IP67  
- 24 V  
**A34491-ND**



Driver (CV) - On/Off - 60 W - IP67  
- 24 V  
**A34591-ND**



Driver (CV) - On/Off - 100 W -  
IP67 - 24 V  
**A34791-ND**



Driver (CV) - On/Off - 150 W -  
IP67 - 24 V  
**A34891-ND**



Driver (CV) - On/Off - 200 W -  
IP67 - 24 V  
**A34991-ND**



Driver (CV) - On/Off - 350 W -  
IP67 - 24 V  
**A35091-ND**