

UTAH 3 (UT-50555) (Version 1)



Product description

Without remote driver - Constant voltage (CV) 24V - Class III - RGBW



microPrim™

Luminaire Structure

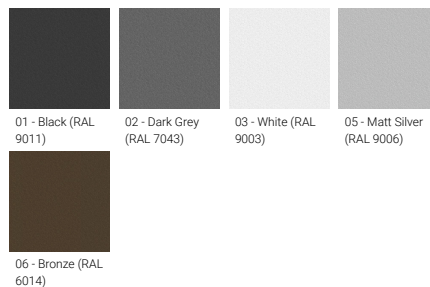
- Die-cast aluminium housing
- Pre-treated before powder coating ensuring high corrosion resistance
- Single cable entry
- One cable gland supplied with 0.5 m of 5x0.75 sqmm outdoor cable
- Stainless steel fasteners in grade 304 with zinc flake coating (ZFC)
- Durable silicone rubber gasket
- High-efficiency PMMA lens
- Clear toughened glass
- Remote driver (not included)
- Plastic ground spike for garden type

Optic

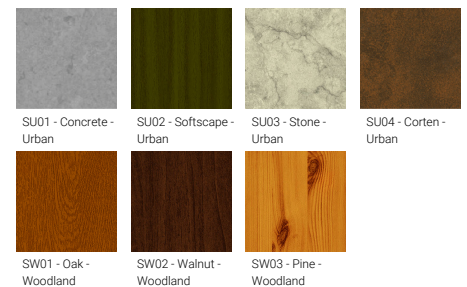


M

Product colour



Special finishes upon request



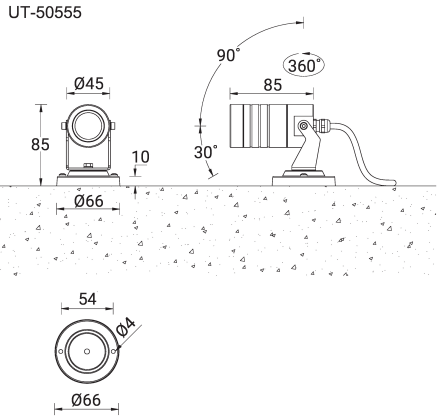
UTAH 3 (UT-50555) (Version 1)

Technical information

Material	Aluminium
Light source	1 LED
Power	5 W
Lumen	224 lm
Efficacy	45 lm/W
Driver option	Remote driver (not included)
Driver	Constant voltage (CV)
Input voltage	24 VDC
Optic	M

Optic value	33°
CCT / CRI	RGBW30, RGBW40
Bug	B1-U0-G0
ULR	<1%
ULOR	<1%
CIE flux code n°3	99
Dimming type	DMX, DMX/RDM
Product colours	Black, Dark Grey, White, Matt Silver, Bronze, Concrete - Urban, Softscape - Urban, Stone - Urban, Corten - Urban, Oak - Woodland, Walnut - Woodland, Pine - Woodland
Weight	0.3 kg

Operating temperature	-20 °C to 40 °C
EPA (m2)	0.006
Cable	One cable gland supplied with 0.5 m of 5x0.75 sqmm outdoor cable
Through wiring	Single cable entry
Lens / Reflector / Optic	High-efficiency PMMA lens, Clear toughened glass
MacAdam Ellipse	7 SDCM
Lifetime L90B10 (hours)	> 15,000
Lifetime L80B10 (hours)	> 31,000
Lifetime L80B50 (hours)	> 34,000



UTAH 3 (UT-50555) (Version 1)**Accessory**

Anti-glare visor
A51431



DMX Control System
Control-DMX



DMX/RDM Control System
Control-DMX-RDM



Driver (CV) - On/Off - 36 W - IP67
- 24 V
A34491-ND



Driver (CV) - On/Off - 60 W - IP67
- 24 V
A34591-ND



Driver (CV) - On/Off - 100 W -
IP67 - 24 V
A34791-ND



Driver (CV) - On/Off - 150 W -
IP67 - 24 V
A34891-ND



Driver (CV) - On/Off - 200 W -
IP67 - 24 V
A34991-ND



Driver (CV) - On/Off - 350 W -
IP67 - 24 V
A35091-ND