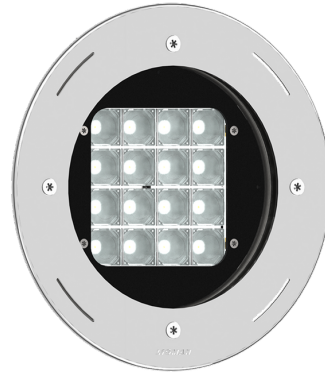


BORNHOLM 4 (BOH-60032) (Version 1)



Product description

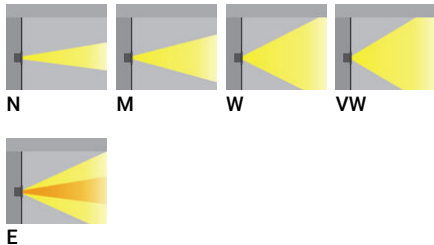
Without remote driver - Constant voltage (CV) 24 V - RGBW



Luminaire Structure

- Stainless steel body in grade 316
- Single cable entry
- One cable gland supplied with 2 m of 5x0.75 sqmm outdoor cable
- Stainless steel fasteners in grade 316
- Durable silicone rubber gasket
- Clear toughened glass
- Remote driver (not included)
- Remote box IP-rated is not included and is to be ordered separately for constant current (CC) products
- Recessing box in stainless steel 316 grade
- Luminaire must be submerged when operational
- Maximum depth 2 m
- Outdoor cable needs to be ordered with a specific length
- Maximum distance of the Remote DMX/RDM decoder is 8 m

Optic



Product colour



BORNHOLM 4 (BOH-60032) (Version 1)

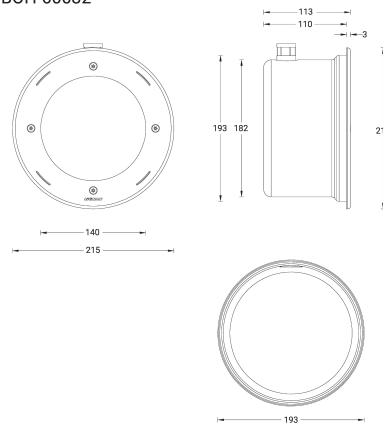
Technical information

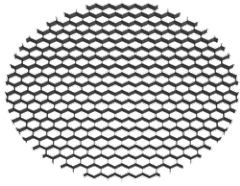
Material	Stainless Steel
Light source	16 LED
Power	20 W
Lumen	1273 - 1600 lm
Efficacy	64 - 80 lm/W
Driver option	Remote driver (not included)
Driver	Constant voltage (CV)
Input voltage	24 VDC
Optic	N, M, W, VW, E

Optic value	8°, 17°, 26°, 65°, 43°x11°
CCT / CRI	RGBW30, RGBW40
Bug	B1-U0-G0, B2-U0-G0
ULR	<1%
ULOR	<1%
CIE flux code n°3	100
Dimming type	DMX, DMX/RDM
Product colours	Stainless Steel
Weight	3.6 kg

Operating temperature	-20 °C to 40 °C
Cable	One cable gland supplied with 2 m of 5x0.75 sqmm outdoor cable
Through wiring	Single cable entry
Lens / Reflector / Optic	Clear toughened glass
MacAdam Ellipse	7 SDCM
Lifetime L90B10 (hours)	> 50,000
Lifetime L80B10 (hours)	> 68,000
Lifetime L80B50 (hours)	> 100,000

BOH-60032



BORNHOLM 4 (BOH-60032) (Version 1)**Accessory**

Honeycomb louvre
A52521



DMX Control System
Control-DMX



DMX/RDM Control System
Control-DMX-RDM



Driver (CV) - On/Off - 36 W - IP67
- 24 V
A34491-ND



Driver (CV) - On/Off - 60 W - IP67
- 24 V
A34591-ND



Driver (CV) - On/Off - 100 W -
IP67 - 24 V
A34791-ND



Driver (CV) - On/Off - 150 W -
IP67 - 24 V
A34891-ND



Driver (CV) - On/Off - 200 W -
IP67 - 24 V
A34991-ND



Driver (CV) - On/Off - 350 W -
IP67 - 24 V
A35091-ND