

FORREY 20 (FOR-30042)



Product description

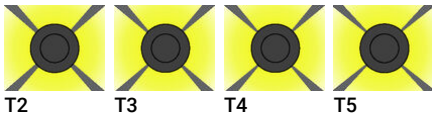
Ø880 - 933 mm - With shade & louver



Luminaire Structure

- Die-cast aluminium housing and frame
- Pre-treated before powder coating ensuring high corrosion resistance
- Models with shade will have colour white coating at inside of shade luminaire and outside surface coating according to colour of luminaire
- Two cable entries for through wiring
- Stainless steel fasteners in grade 304 with zinc flake coating (ZFC)
- Durable silicone rubber gasket
- White coated aluminium reflector on the top of luminaire
- High-efficiency PMMA lens
- Integral control gear
- FORREY luminaires with opal lens and colder than 3000K CCT do not meet the IDA certification requirements

Optic



Product colour



Special finishes upon request

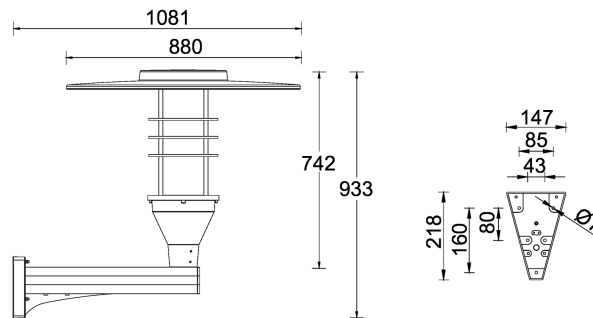


FORREY 20 (FOR-30042)

Technical information

Material	Aluminium	Optic	T2, T3, T4, T5	Lens / Reflector / Optic	White coated aluminium reflector on the top of luminaire, High-efficiency PMMA lens
Light source	1 COB	Optic value	145°x84°, 126°x106°, 133°x116°, 163°	MacAdam Ellipse	3 SDCM
Power	70 W	CCT / CRI	3000K CRI80, 4000K CRI80	Lifetime L90B10 (hours)	> 50,700
Lumen	5976 - 6603 lm	Dimming type	On/Off, 1-10V, DALI	Lifetime L80B10 (hours)	> 63,500
Efficacy	86 - 95 lm/W	Product colours	Black, Dark Grey, White, Matt Silver, Bronze, Concrete - Urban, Softscape - Urban, Stone - Urban, Corten - Urban, Oak - Woodland, Walnut - Woodland, Pine - Woodland	Lifetime L80B50 (hours)	> 63,500
Driver option	Integral control gear			Variants (On/Off, 1-10V, DALI)	Compatible with EN/ IEC 60598-2-22: Suitable for emergency installations as central supply, non-maintained (Z0)
Driver	Constant current (CC)	Weight	16.6 kg		
Input voltage	220-240 V 50/60 Hz	Operating temperature	-20 °C to 50 °C		
		Through wiring	Two cable entries for through wiring		

FOR-30042



FORREY 20 (FOR-30042)

Accessory



DALI Control System
Control-DALI
